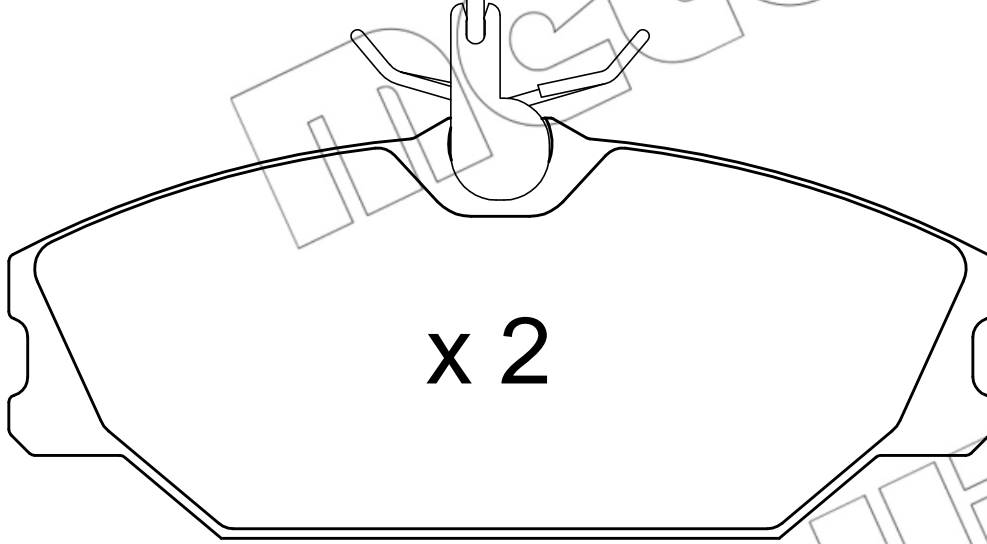
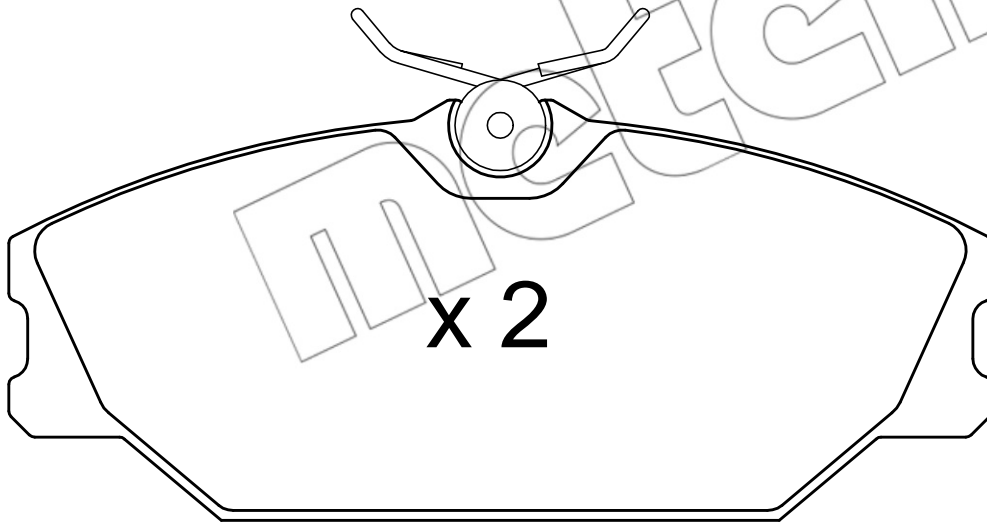


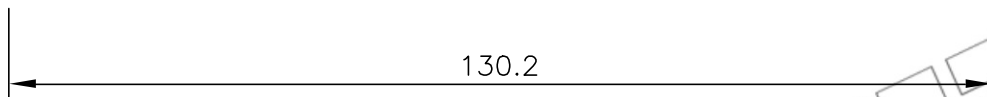
L = 280



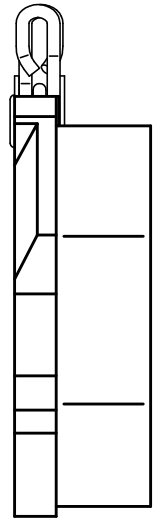
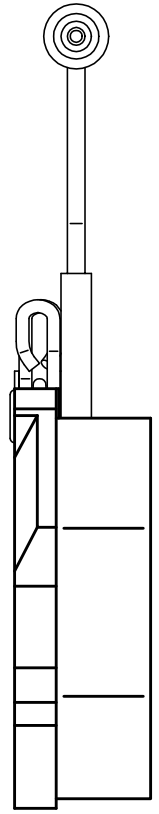
x 2



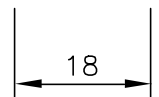
x 2



130.2



55.7



18

metelli