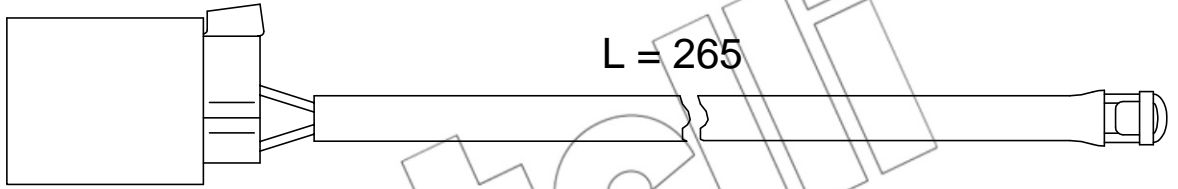
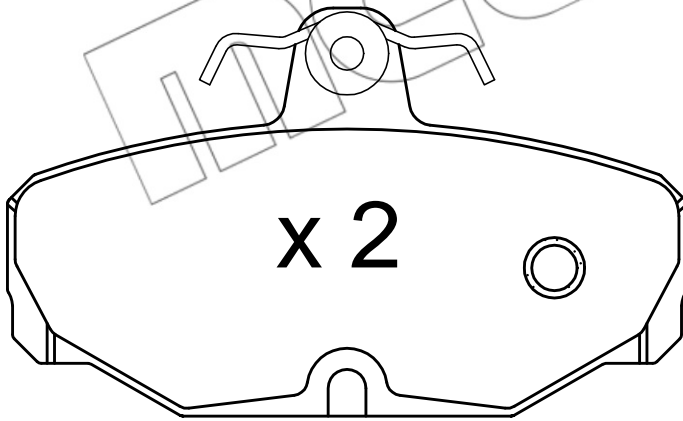


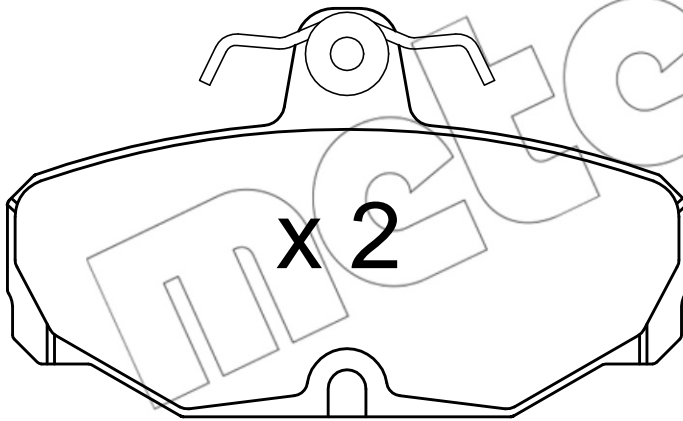
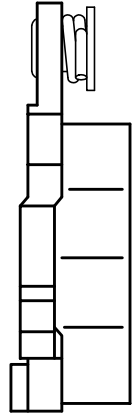
x 2



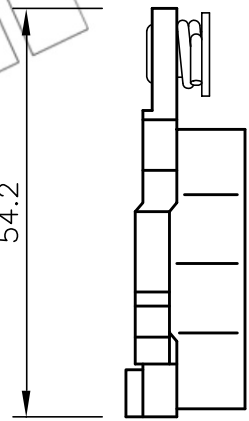
$L = 265$



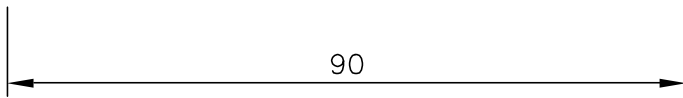
x 2



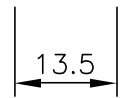
x 2



54.2



90



13.5

metelli