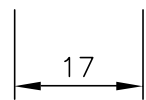
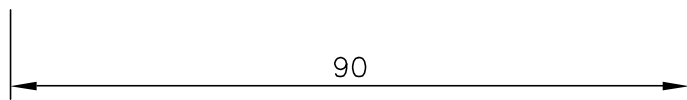
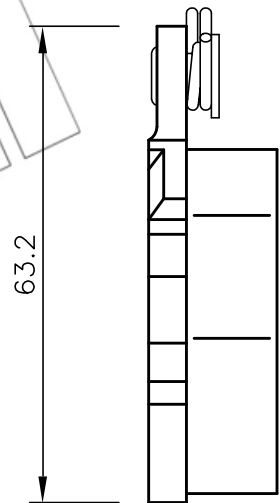
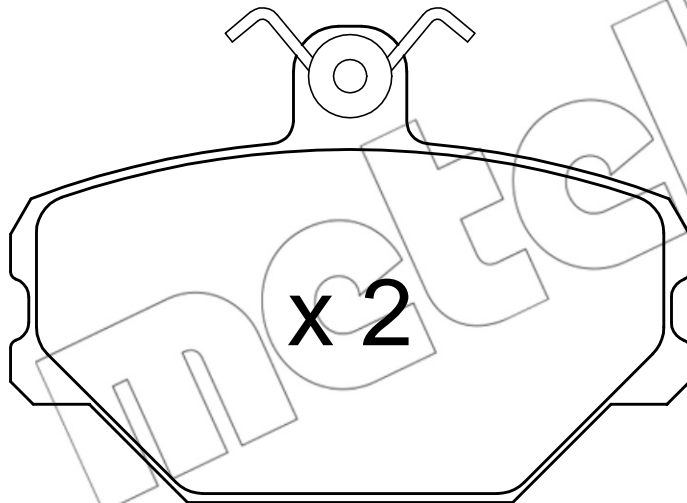
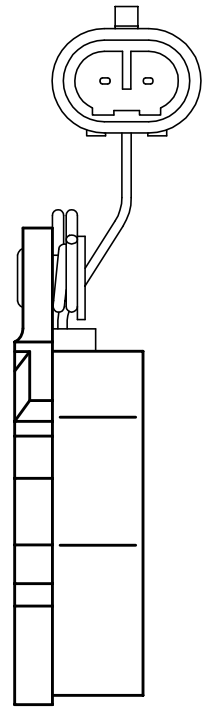
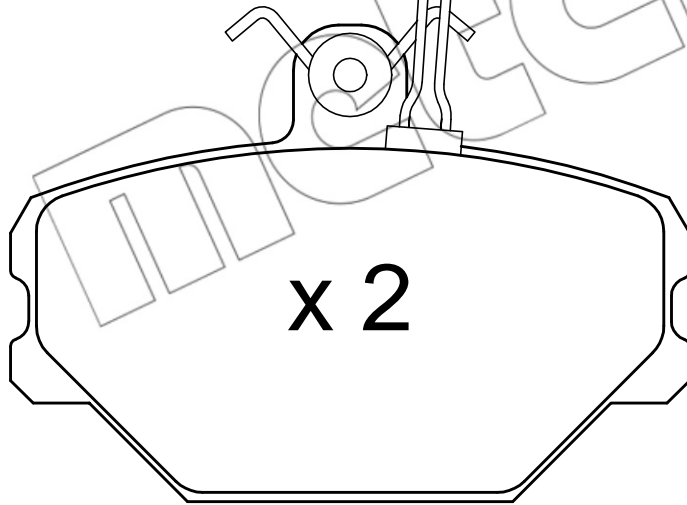


L = 280



metelli