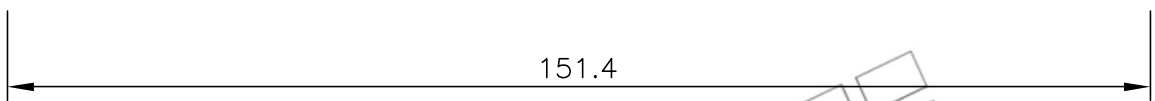
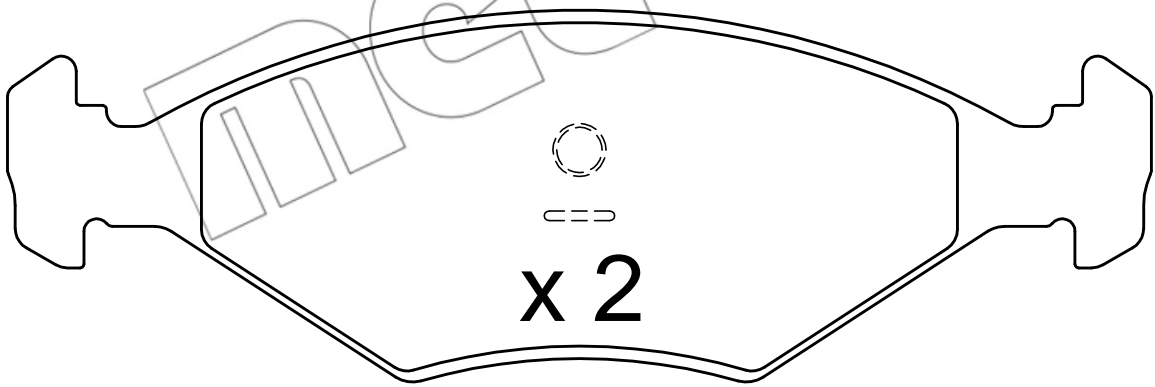
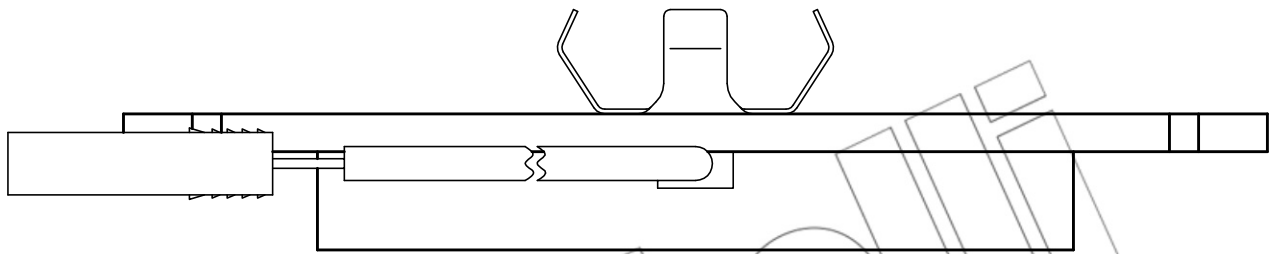
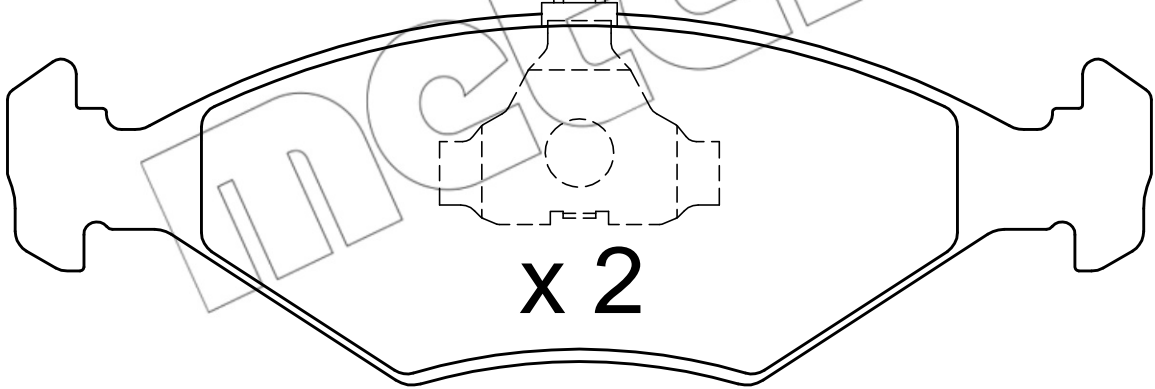
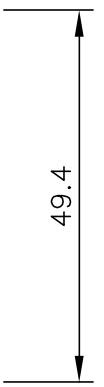


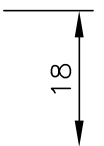
L = 800



151.4



49.4



18