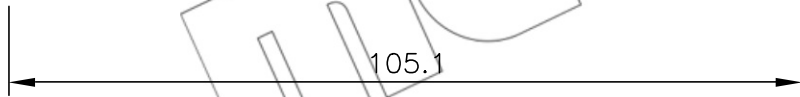
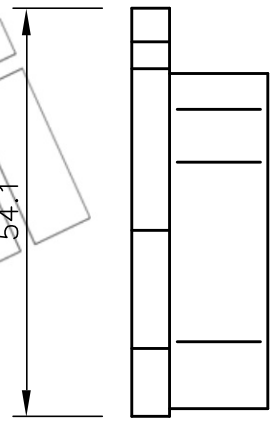
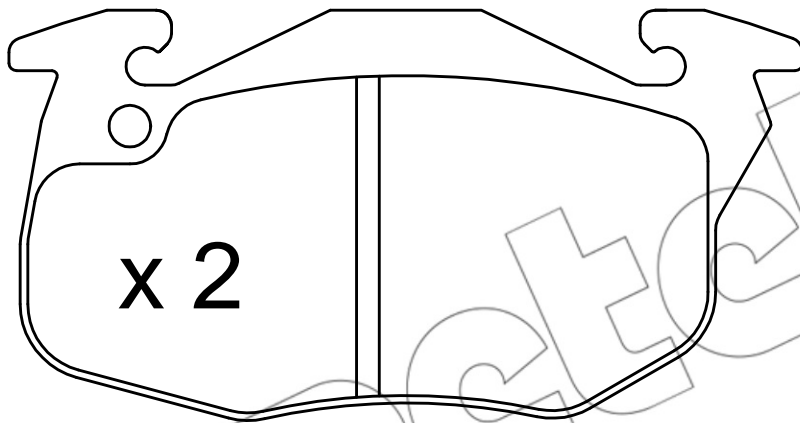
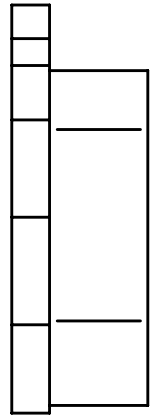
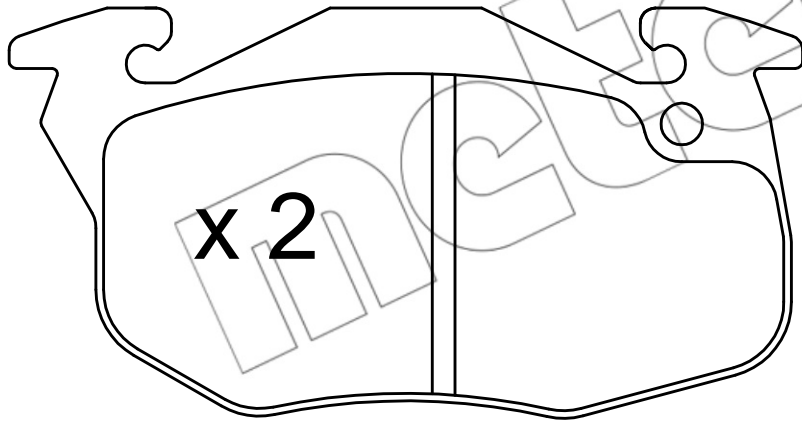
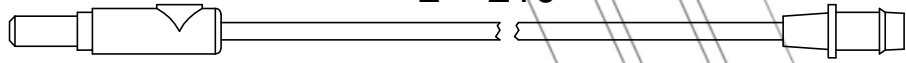
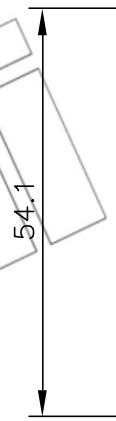


x 2

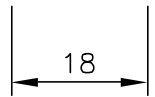
L = 210



105.1



54.1



18

metelli