



KB659.34/KB659.35 Removal/Installation recommendations

CITROËN: Jumper (I, II, III), Relay (II, III)
FIAT: Ducato (I 234-244-245-247, II 250-251)
PEUGEOT: Boxer (I, II)

OE reference
 [5031-75, 5035-47, 5038-E3, 6923-G2, 6939-C1,
 6949-49], [11586121, 1319277080, 1320987080,
 1345897080, 1355179080, 15503911, 5896546]

NTN-SNR KIT KB659.34

FRONT LEFT



NTN-SNR KIT KB659.35

FRONT RIGHT



COMMON PROBLEMS

PREMATURE BEARING FAILURE

Probable cause

Incorrect installation of the kit.

Failure is normally caused by the penetration of contaminants such as water and mud. It is important to replace all parts supplied in the kit, in the correct orientation.

The most common failure is normally caused by the two bearings and the two seals being installed backwards (see installation procedure).



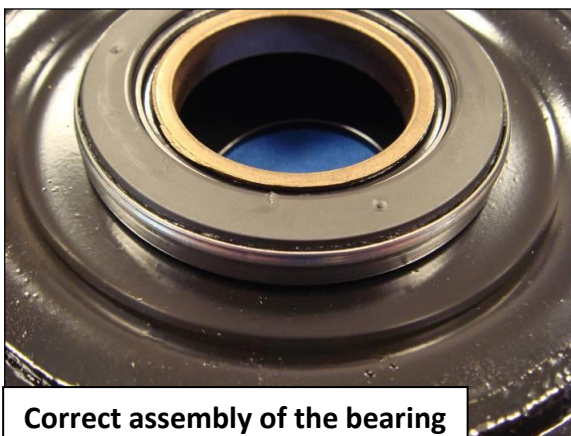
RECOMMENDATIONS

- Install the bearing in the correct orientation: the black face of the bearing must sit against the filter unit.
- Install the seal in the correct orientation: the seal lip must sit against the filter unit.
- Take care not to deform or damage the seals during installation, do not lubricate the two assemblies excessively.

KIT INSTALLATION INSTRUCTIONS



Install the bearing in the correct orientation: the metallic side should not be visible

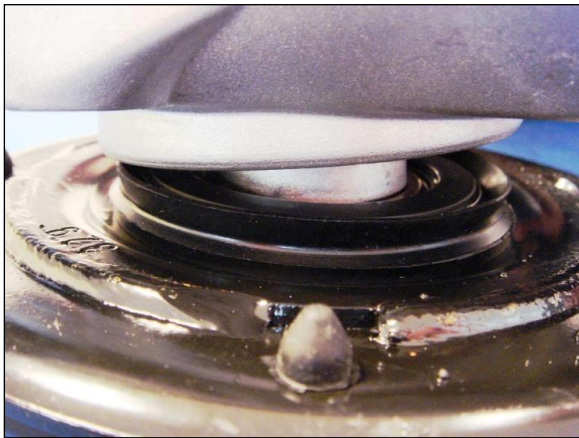


Correct assembly of the bearing



Installation of the seal on the

Install the seal in the correct orientation: the seal lip goes against the filter unit.

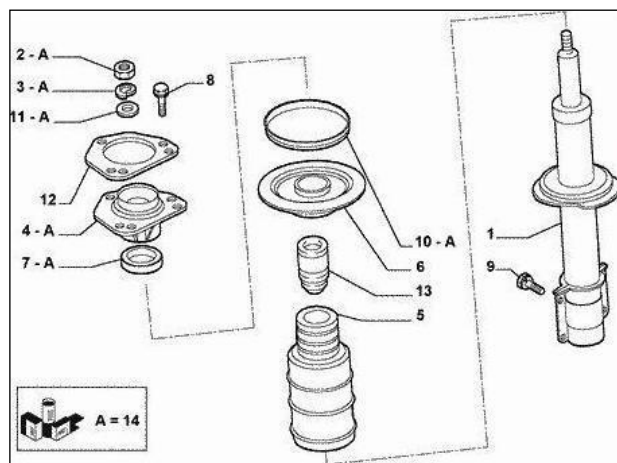


Fitting the filter unit into the mount



View of final assembly

Parts orientation



Recommendations

Follow the manufacturers installation procedures apply the tightening torques specified by the manufacturer.

Refer to the vehicle applications in our online catalogue: <http://lc.cx/catalog-ra>



Scan this QR code to access our online catalogue.

FOLLOW THE RECOMMENDATIONS OF THE VEHICLE MANUFACTURER.

©NTN-SNR ROULEMENTS

The contents of this document are the copyright of the publisher and any reproduction, even partial, is prohibited without permission. Despite the care taken in preparing this document, NTN-SNR Roulements disclaims any liability for errors or omissions that may slip through, as well as for losses or direct or indirect damage arising from its use.

