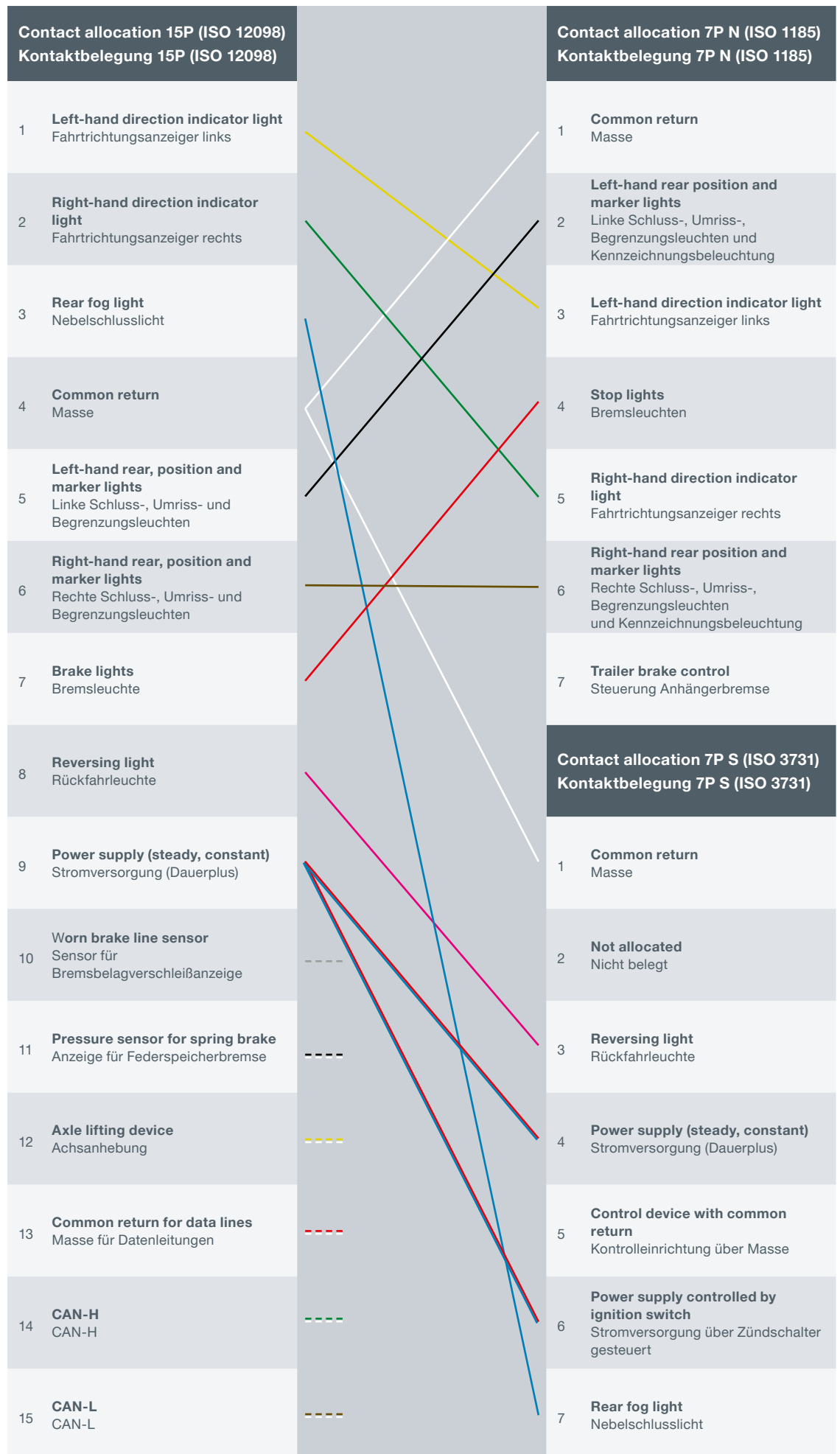


# INFO

febi  
171825  
09734



--- Wires 10 to 15 are not allocated.

--- Adern 10 bis 15 sind nicht angeschlossen.

For more technical information please visit: [partsfinder.bilsteingroup.com](http://partsfinder.bilsteingroup.com)

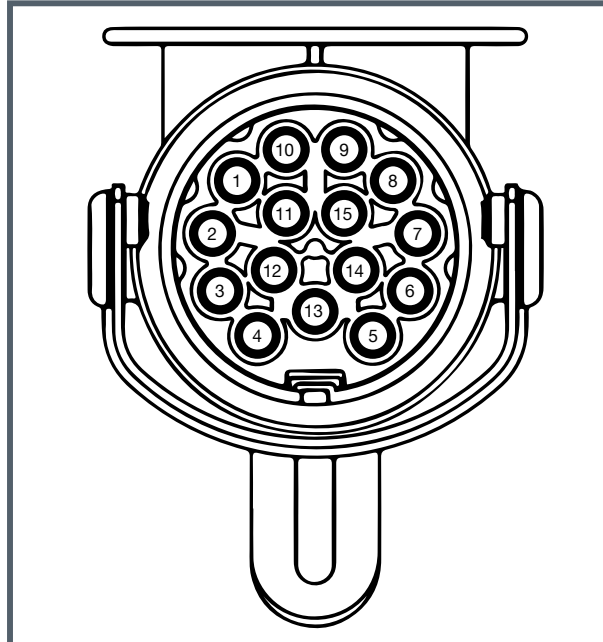
Ferdinand Bilstein GmbH + Co. KG

Wilhelmstr. 47 | 58256 Ennepetal | Germany | Tel. +49 2333 911-0 | [www.bilsteingroup.com](http://www.bilsteingroup.com)

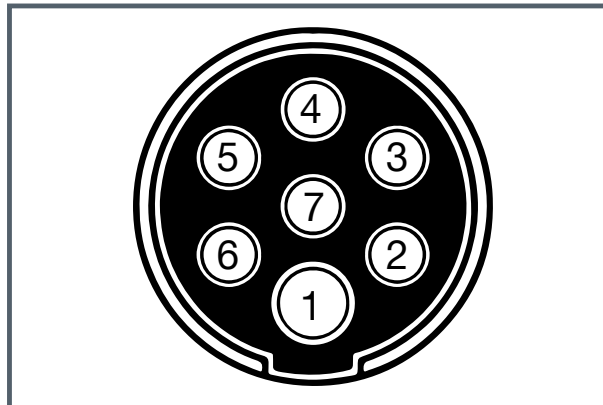
**bilstein**group®

# INFO

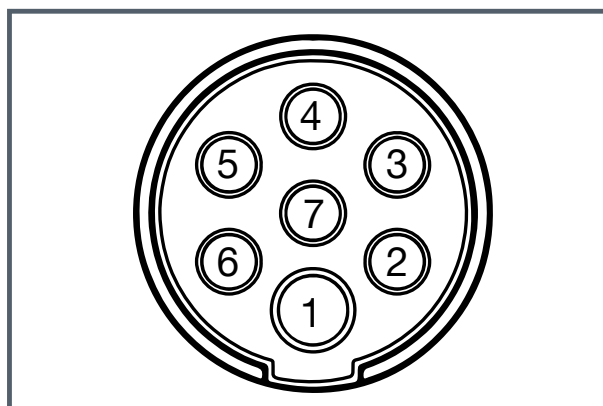
febi  
171825  
09734



15-pole (ISO 12098)



7-pole N (ISO 1185)



7-pole S (ISO 3731)

For more technical information please visit: [partsfinder.bilsteingroup.com](https://partsfinder.bilsteingroup.com)

Ferdinand Bilstein GmbH + Co. KG

Wilhelmstr. 47 | 58256 Ennepetal | Germany | Tel. +49 2333 9111-0 | [www.bilsteingroup.com](https://www.bilsteingroup.com)

**bilstein**group®