

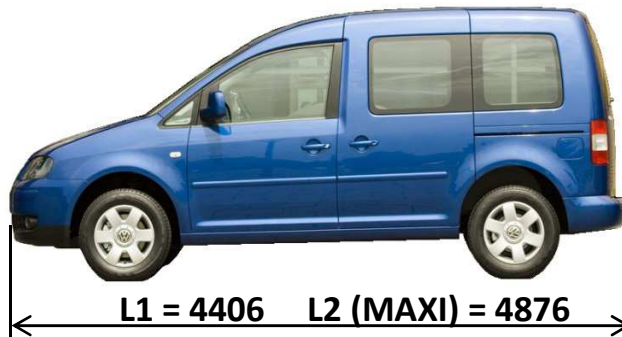


westfalia 521660700001
AUTOMOTIVE 521661700001

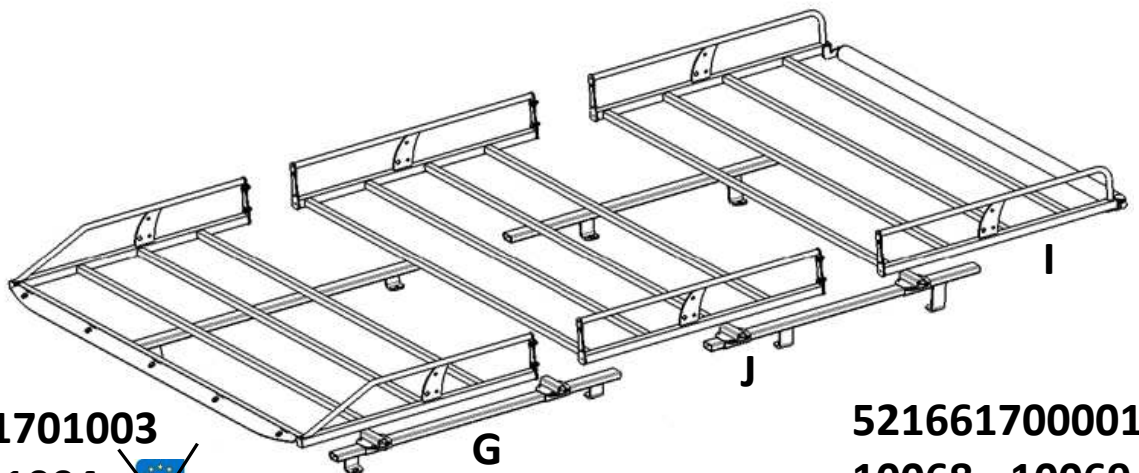
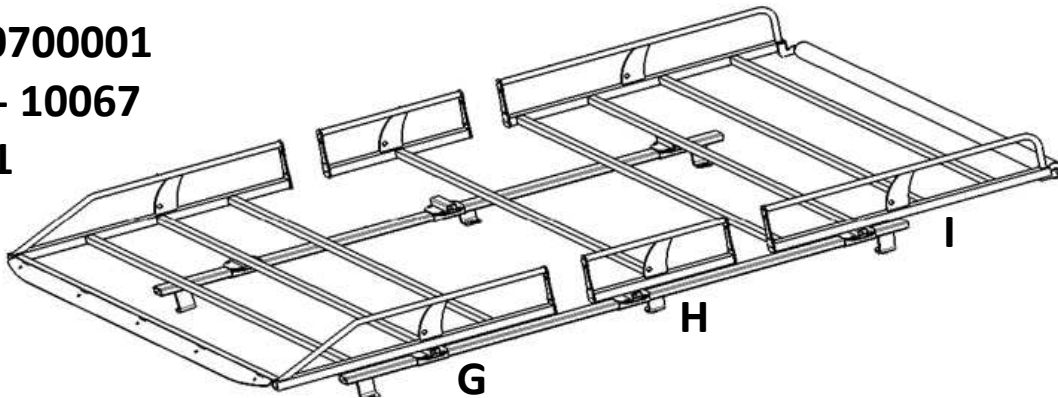
10066 - 10067
10068 - 10069



VOLKSWAGEN CADDY CADDY MAXI 01/2004 >



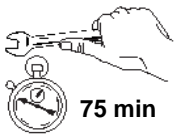
521660700001
10066 - 10067
L1



G + I = 500001701003
H = 500001701004
J = 500001702004



521661700001
10068 - 10069
L2 (MAXI)



75 min



45 min



L1 = 150 Kg

L2 = 150 Kg

Y



HM 6 x 25 Cl 8.8 8 Nm



CS 6



20 x 6 x 3

V



HM 6 x 20 Cl 8.8 8 Nm



L 6 x 18



M6 Cl 8

X



HM 6 x 20 Cl 8.8 8 Nm



L 6 x 18



M6 Cl 8

Z



HM 6 x 20 Cl 8.8 8 Nm



L 6 x 18



M6 Cl 8



40 mm

W



HM 12 x 50 Cl 8.8 80 Nm



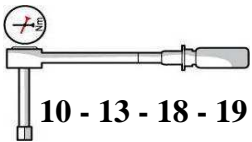
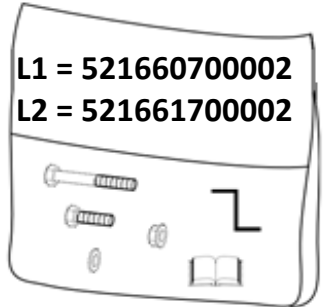
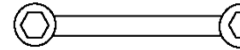
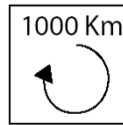
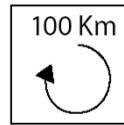
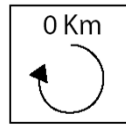
CS 12



M12 Cl 8



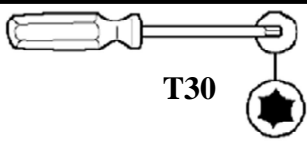
45 x 40 x 10



10 - 13 - 18 - 19



10 - 13 - 18 - 19



T30



6 HM 6 x 25



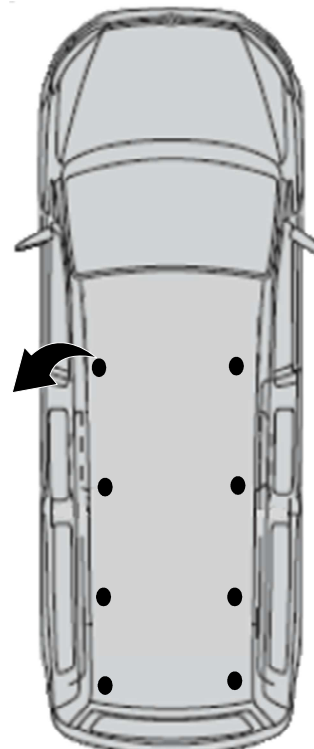
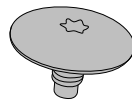
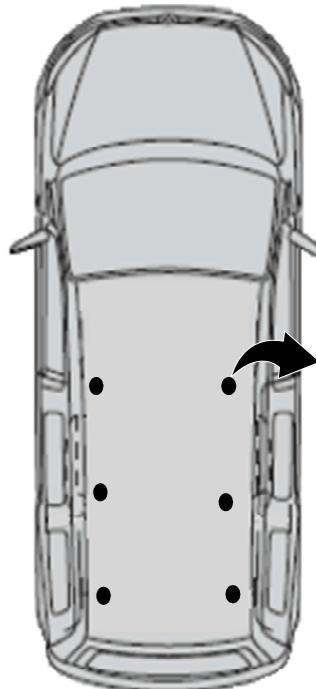
6 CS 6

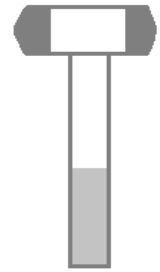
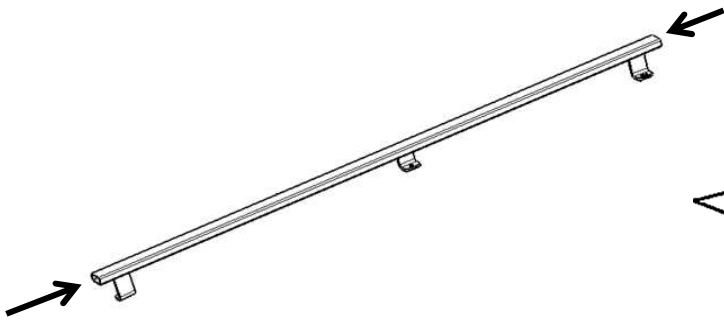


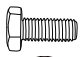


6 20 x 6 x 3

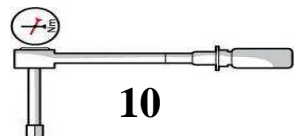
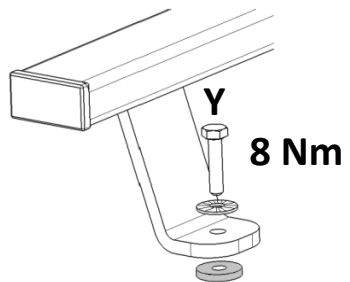
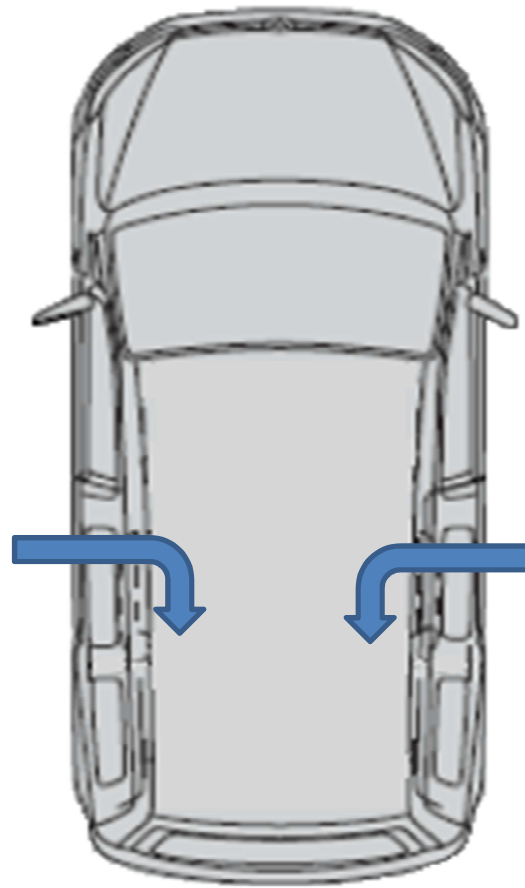
CADDY MAXI

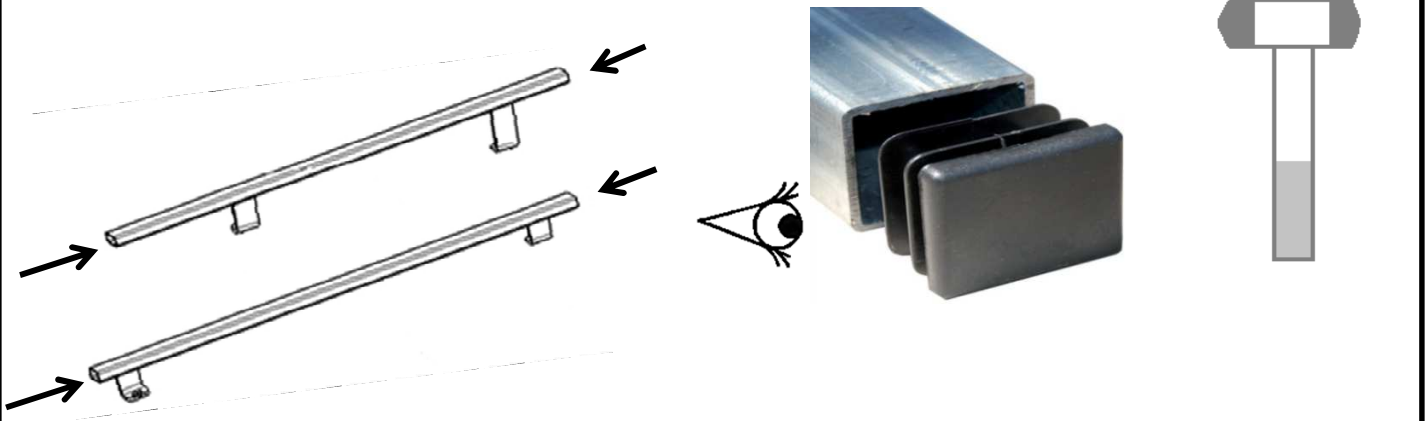
CADDY

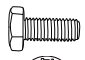




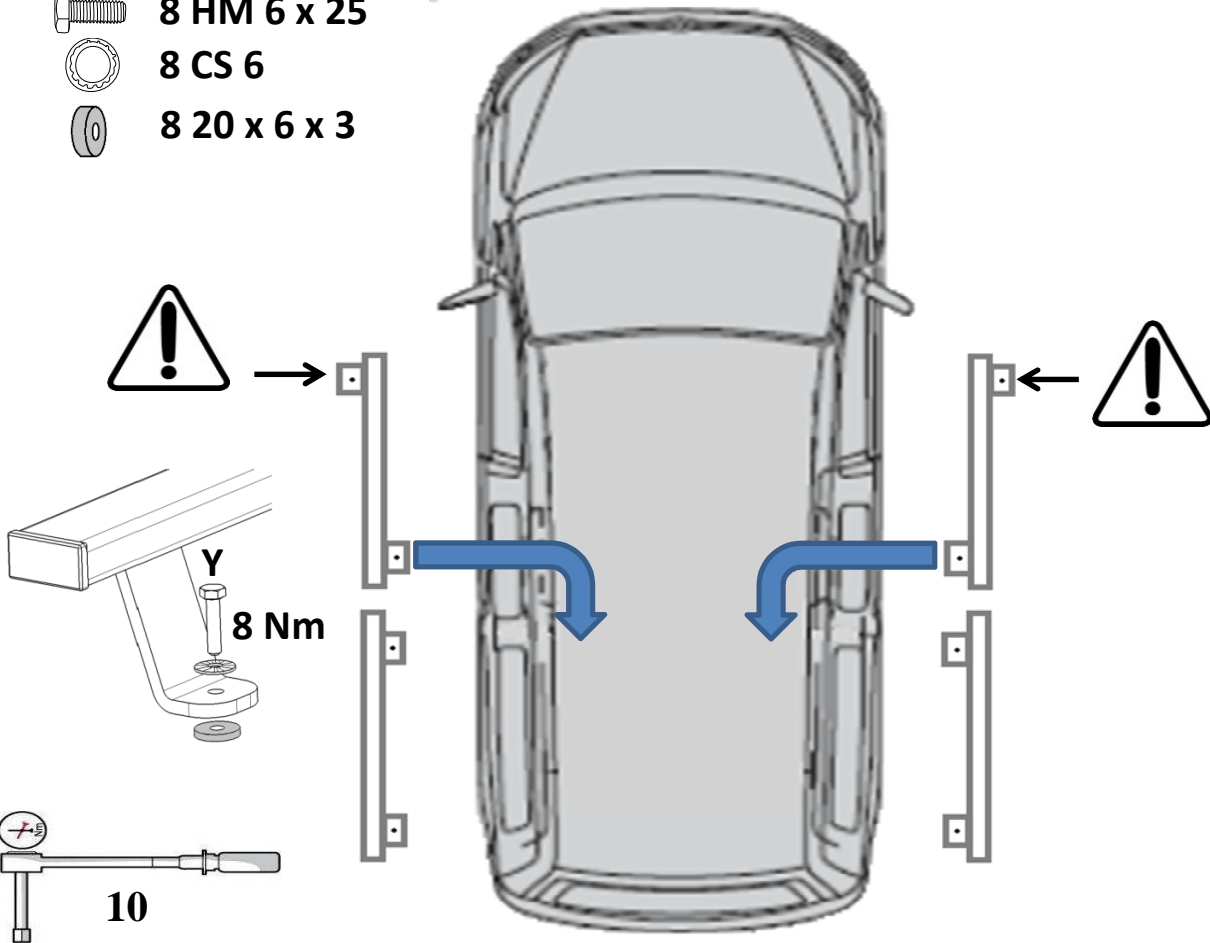


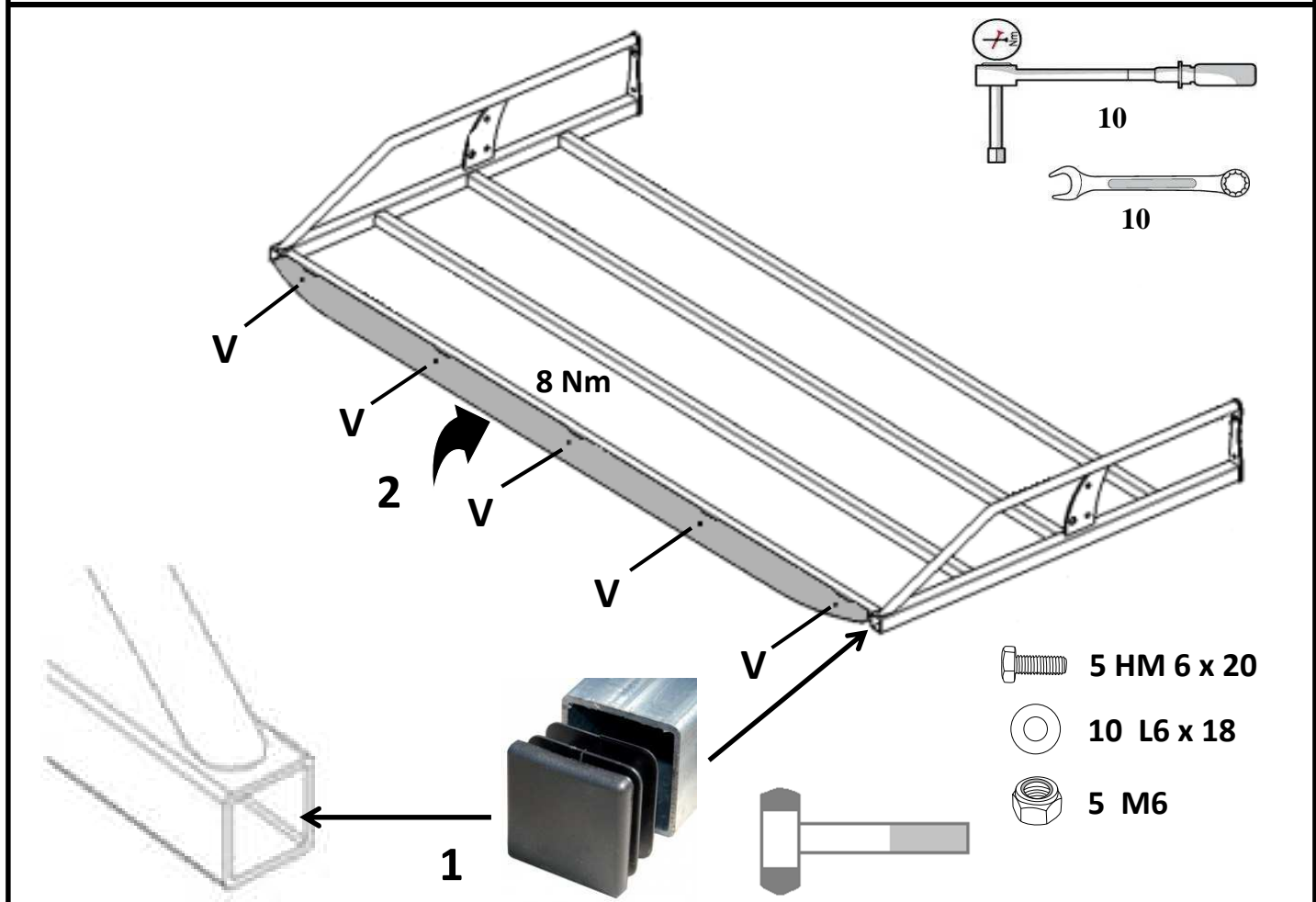
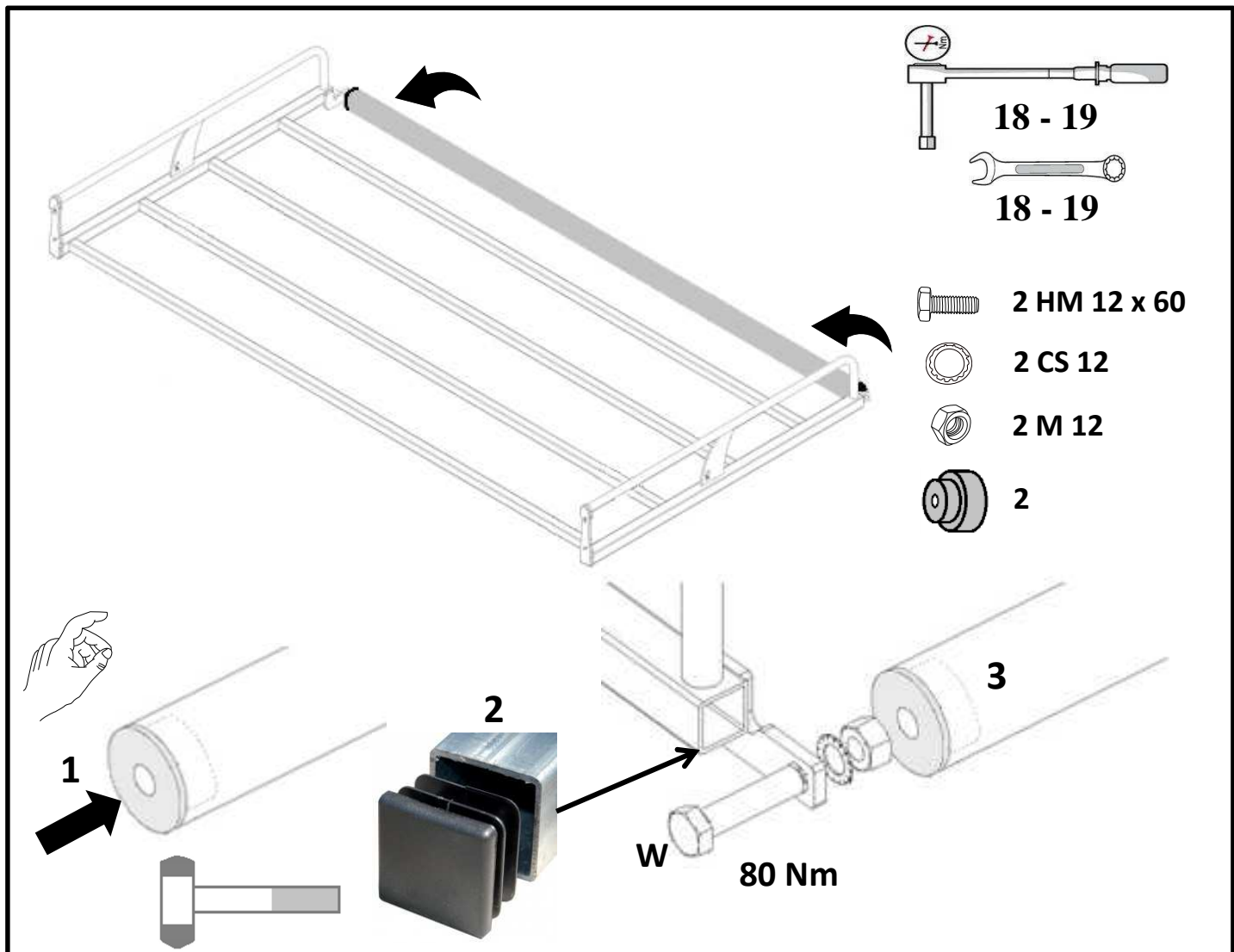
-  6 HM 6 x 25
-  6 CS 6
-  6 20 x 6 x 3

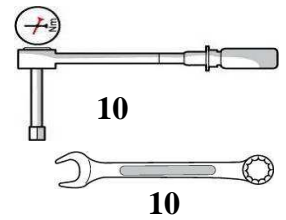
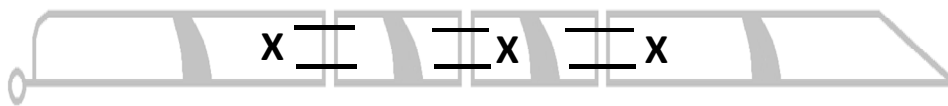
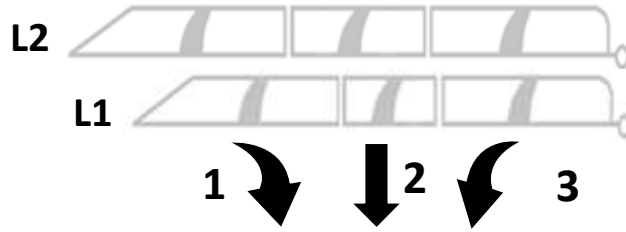




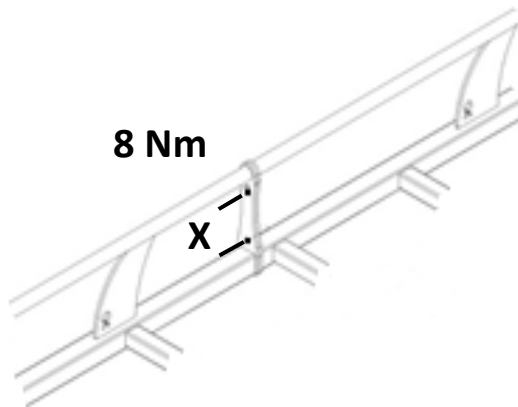
-  8 HM 6 x 25
-  8 CS 6
-  8 20 x 6 x 3

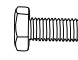








8 Nm

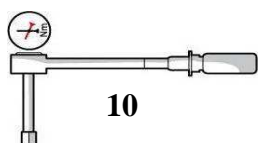
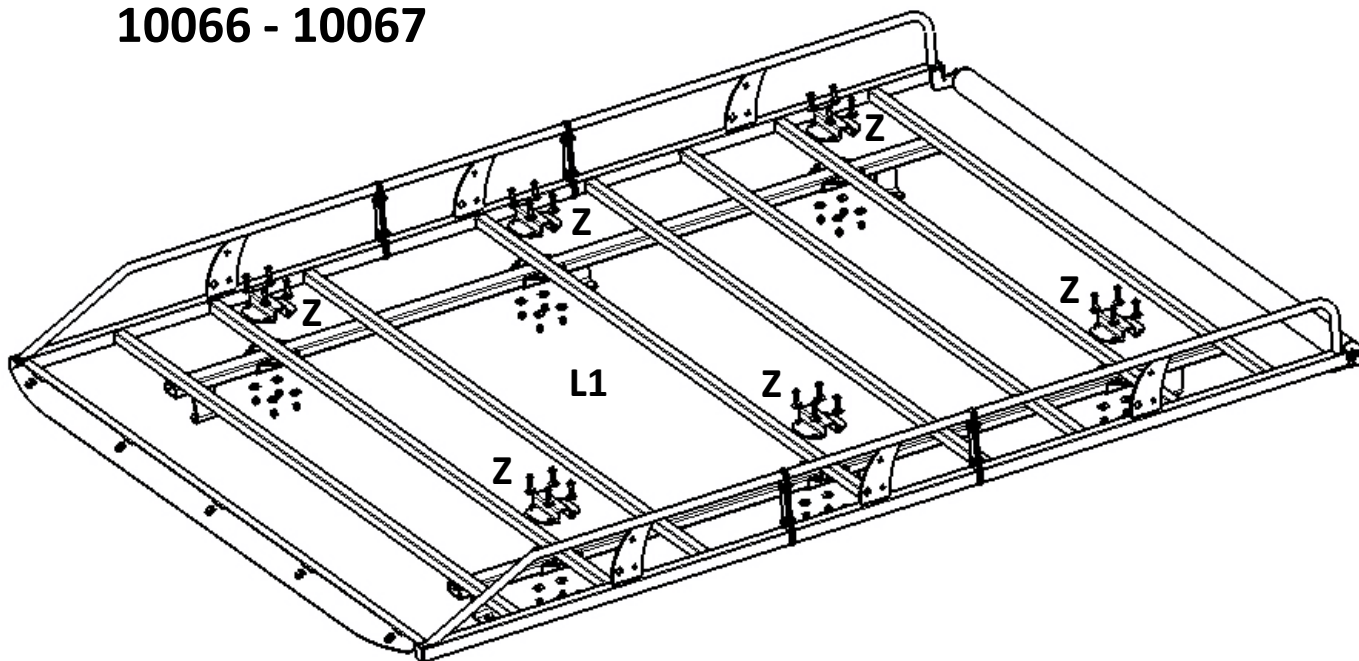


-  8 HM 6 x 20
-  16 L 6 x 18
-  8 M6



521660700001

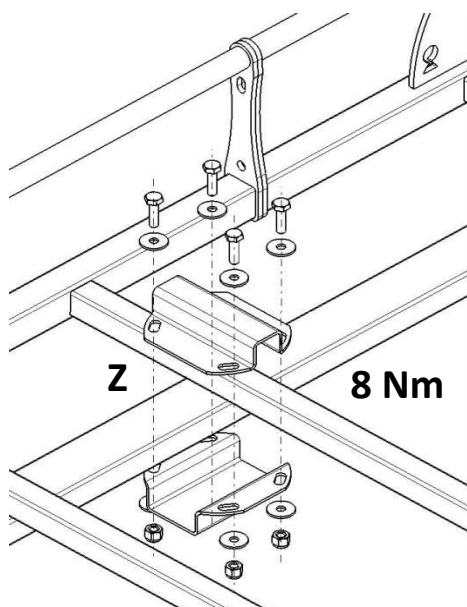
10066 - 10067



10



10



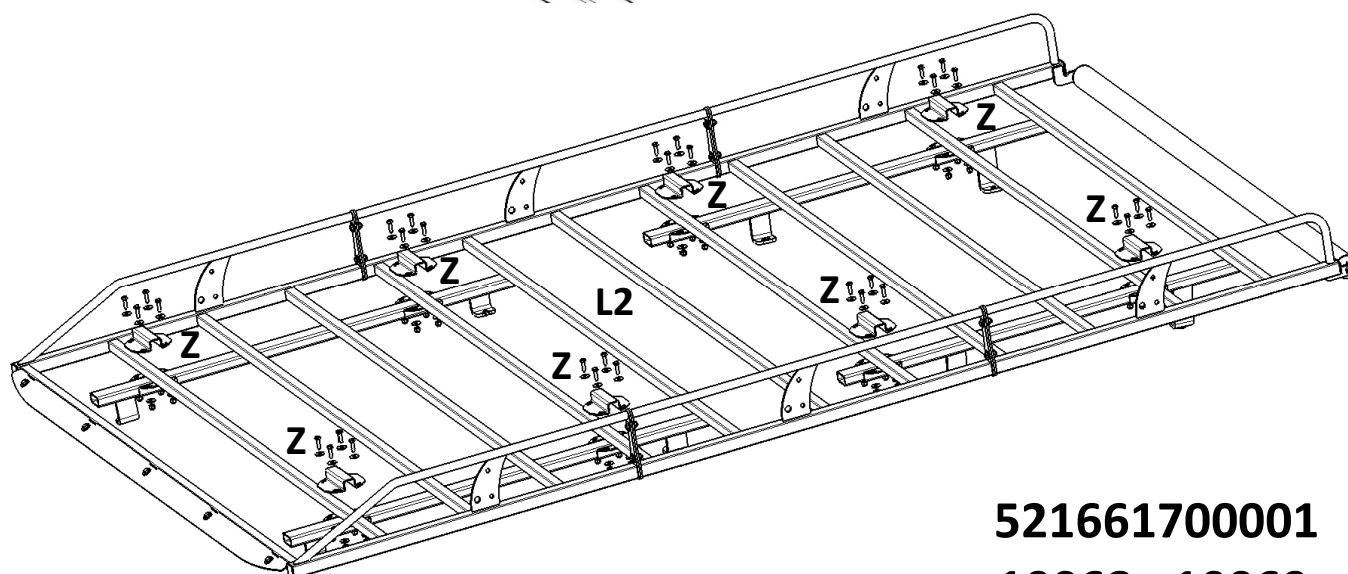
 HM 6 x 20 Cl 8.8 8 Nm

 L 6 x 18

 M6 Cl 8

 40 mm

 20 mm



521661700001

10068 - 10069