



513377700001

513377700051

513274700001

513274700051

513275700001

513275700051



513269700001

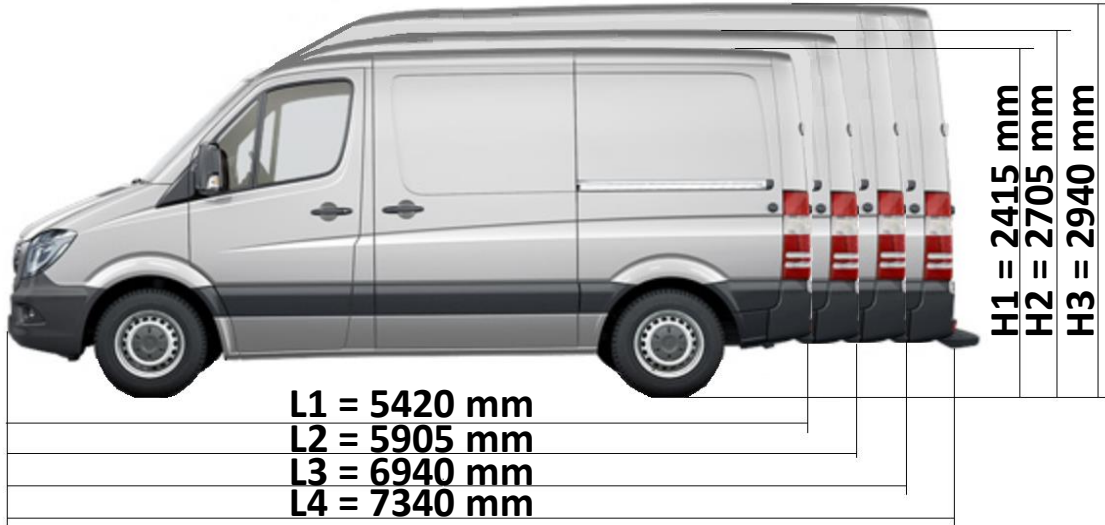
513269700051

513270700001

513270700051



MERCEDES SPRINTER - VW CRAFTER 04/2006 >



L1 H1

513377700001 = 500002702003 + 500002702005 + 513381700002

513377700051 = 500002702053 + 500002702055 + 513381700052

L2 H1

513274700001 = 500002702003 + 500002701006 + 513274700002

513274700051 = 500002702053 + 500002701056 + 513274700052

L2 H2

513275700001 = 500002703003 + 500002702006 + 513275700002

513275700051 = 500002703053 + 500002702056 + 513275700052

L3 H2

513269700001 = 500002703003 + 500002702006 + 500002701005 + 513269700002

513269700051 = 500002703053 + 500002702056 + 500002701055 + 506269700052

L4 H2

513270700001 = 500002703003 + 500002701005 + 500002701005 + 513269700002

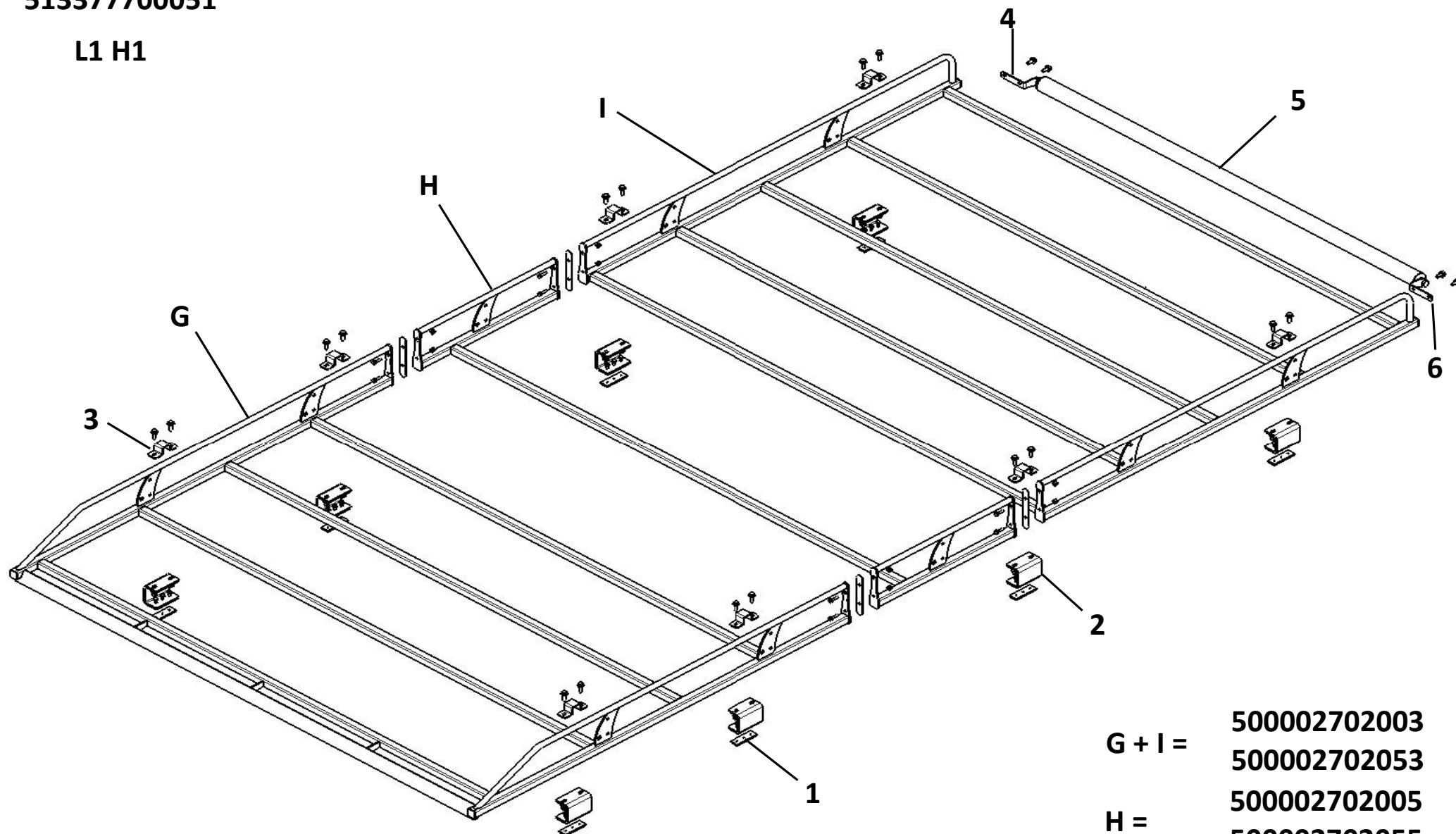
513270700051 = 500002703053 + 500002701055 + 500002701055 + 513269700052

~~L3 H3 - L4H3~~

513377700001

513377700051

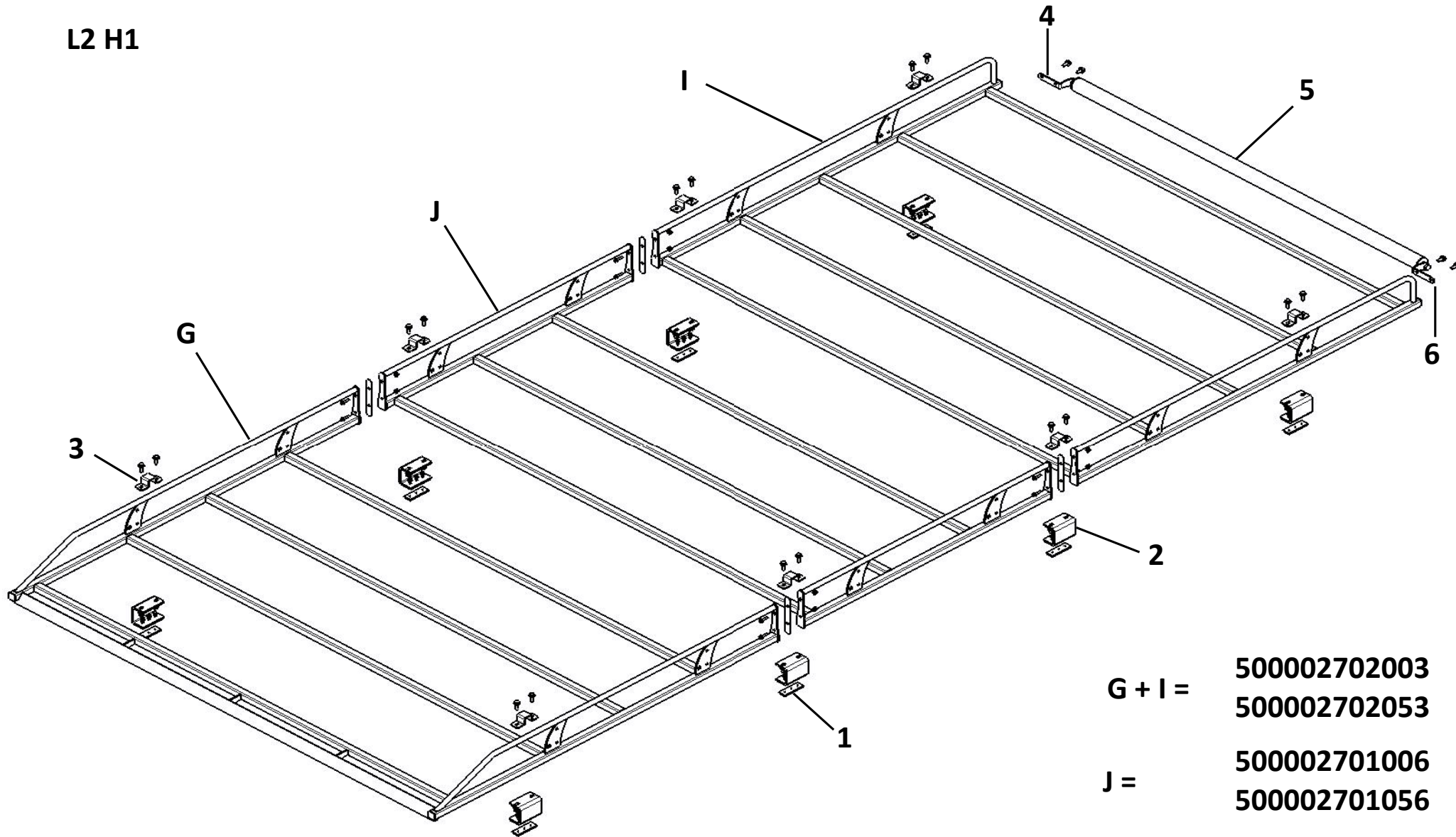
L1 H1



G + I = 500002702003
500002702053
H = 500002702005
500002702055

513274700001
513274700051

L2 H1

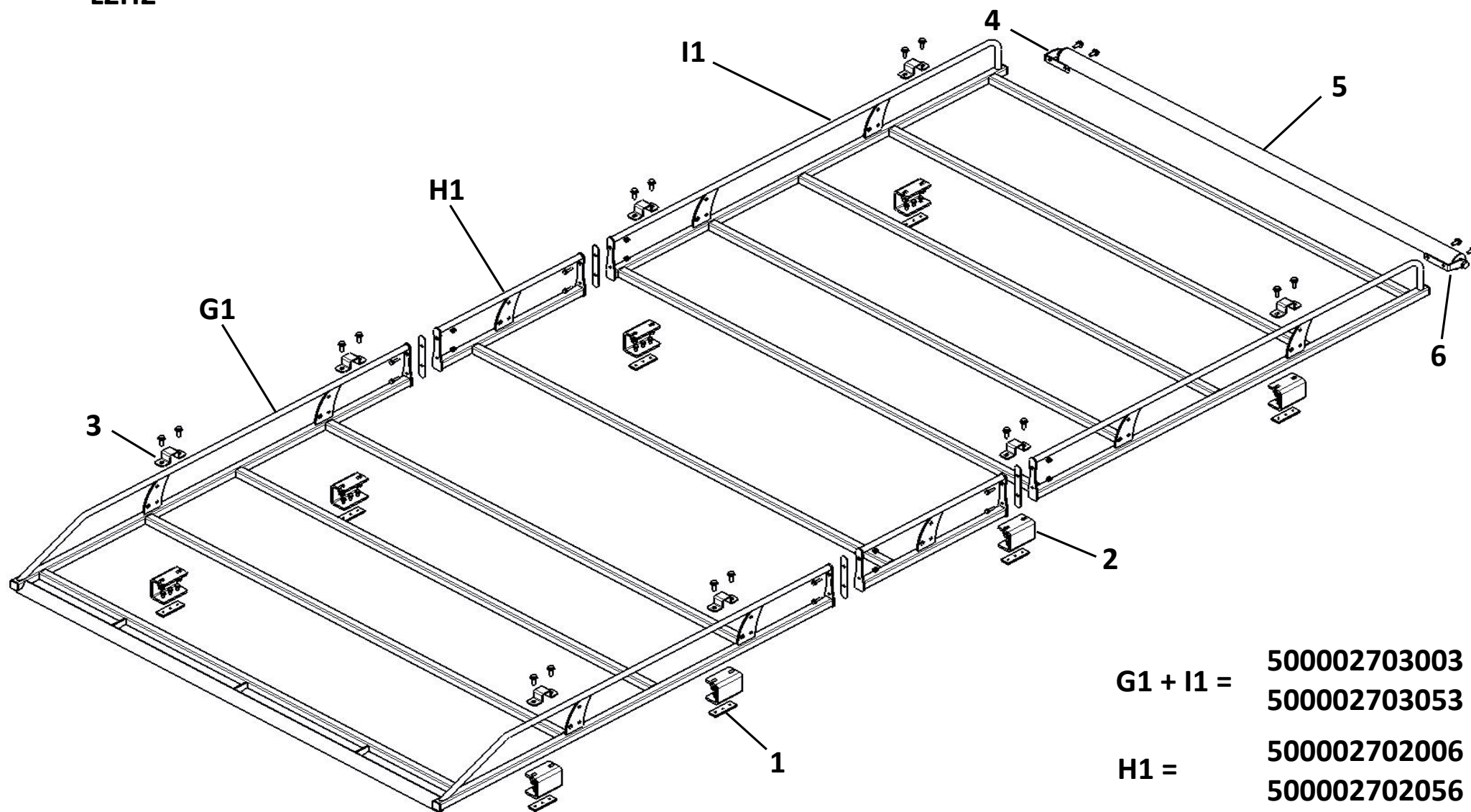


G + I = 500002702003
500002702053
J = 500002701006
500002701056

513275700001

513275700051

L2H2



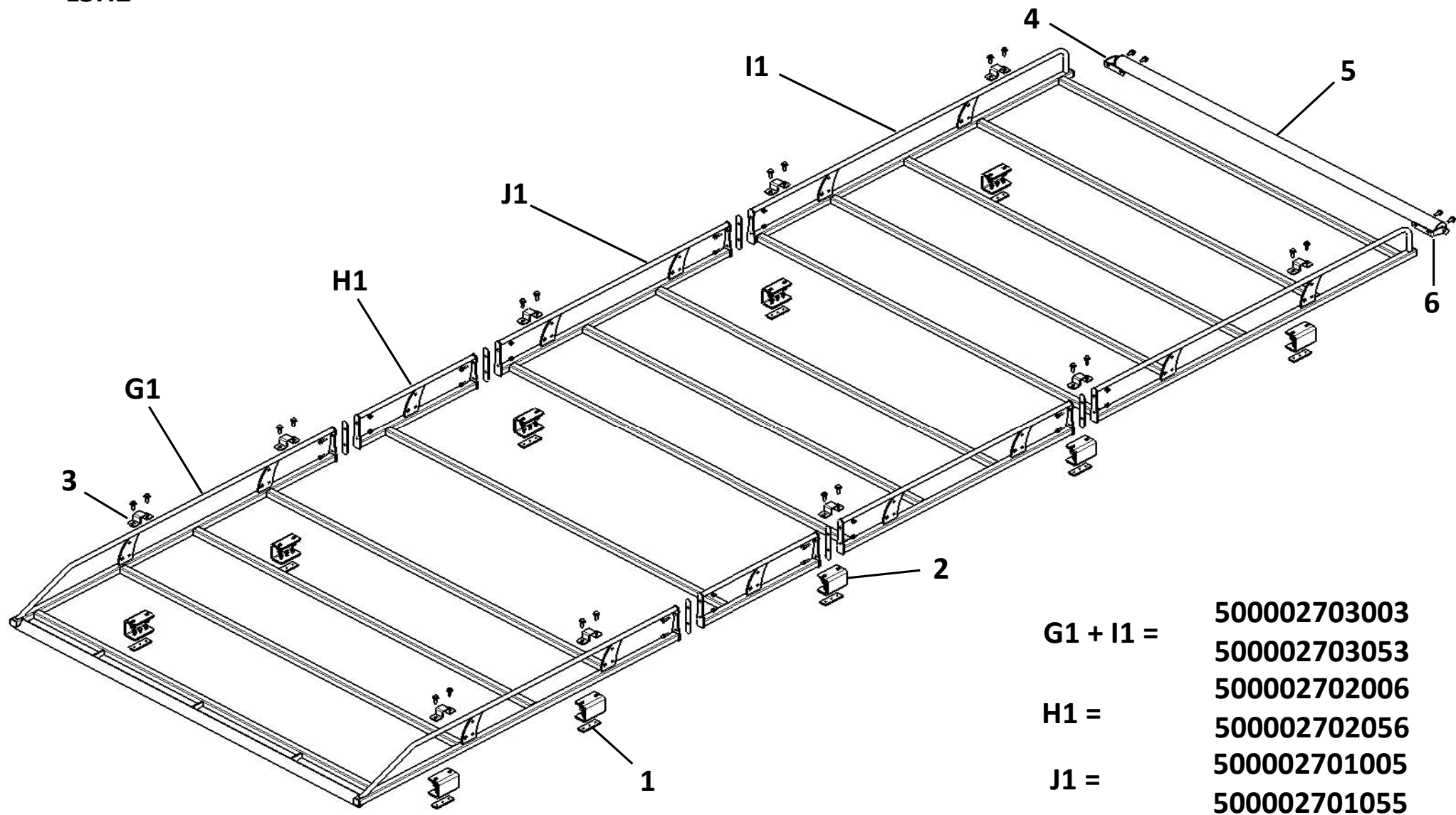
G1 + I1 = 50002703003
50002703053

H1 = 50002702006
50002702056

513269700001

513269700051

L3H2

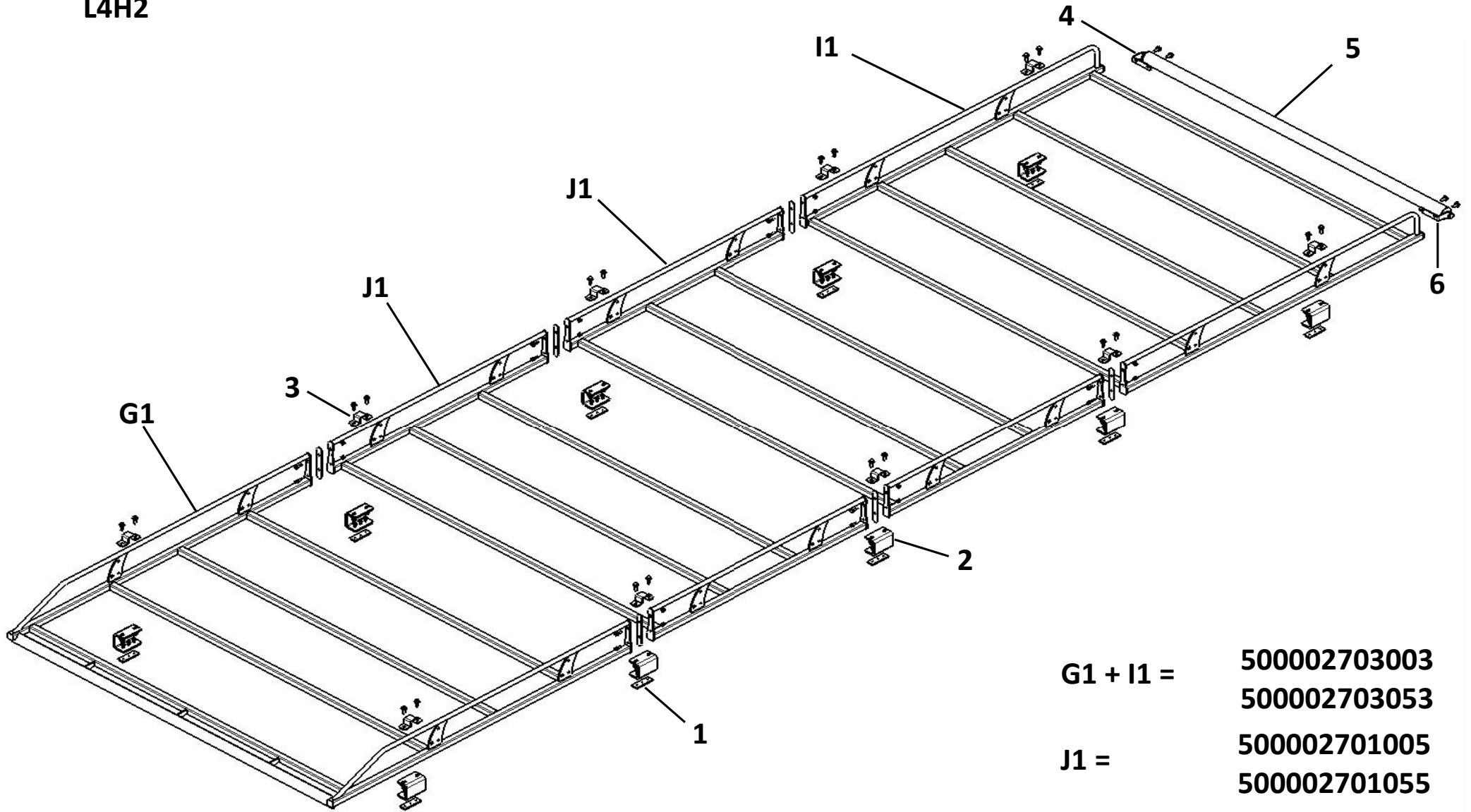


G1 + I1 = 50002703003
50002703053
50002702006
H1 = 50002702056
J1 = 50002701005
50002701055

513270700001

513270700051

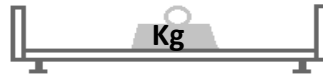
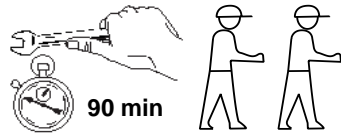
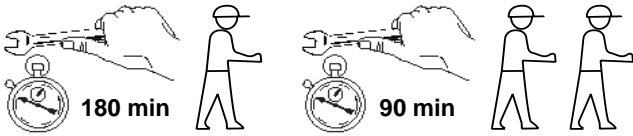
L4H2



G1 + I1 = 50002703003
50002703053
J1 = 50002701005
50002701055

513381700002 - 513274700002
 513275700002 - 513269700002
 513270700002

513381700052 - 513274700052
 513275700052 - 513269700052
 513270700052



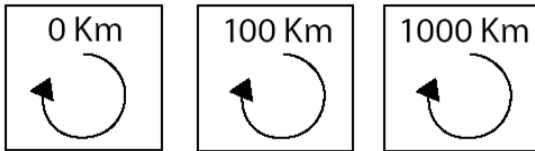
L1H1 = 200 Kg
 L2H1- L2H2 = 200 Kg
 L2H2 = 100 Kg
 L3H2 = 75Kg
 L4H2 = 70 Kg

A HM 6 x 20 Cl 8.8 9 Nm
 CS 6 x 12

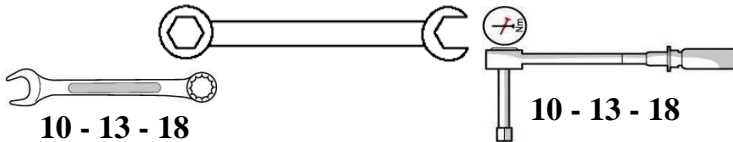
C HM 12 x 50 Cl 8.8 81 Nm
 CS 12
 M12 Cl 8
 45 x 40 x 10

Z HM 8 x 25 Cl 8.8 23 Nm
 L 8 x 18
 M8 Cl 8

X HM 6 x 25 Cl 8.8 9 Nm
 CS 6 x 12
 M6 Cl 8



D HM 8 x 20 Cl 8.8 20 Nm
 CS 8 x 22

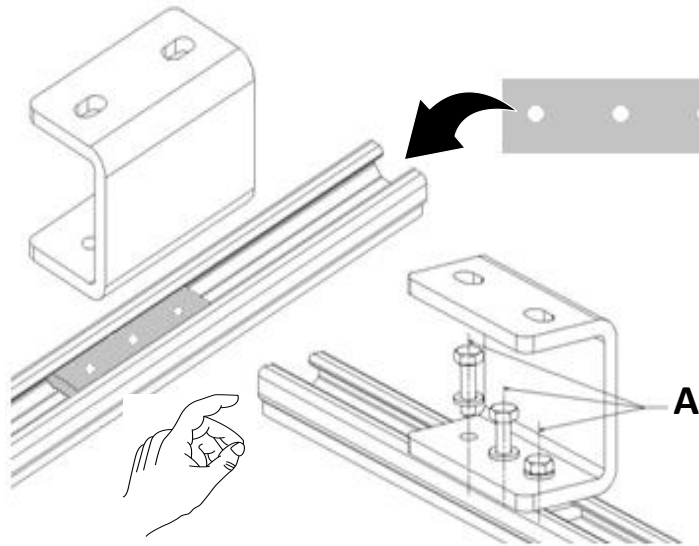


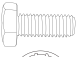


VW

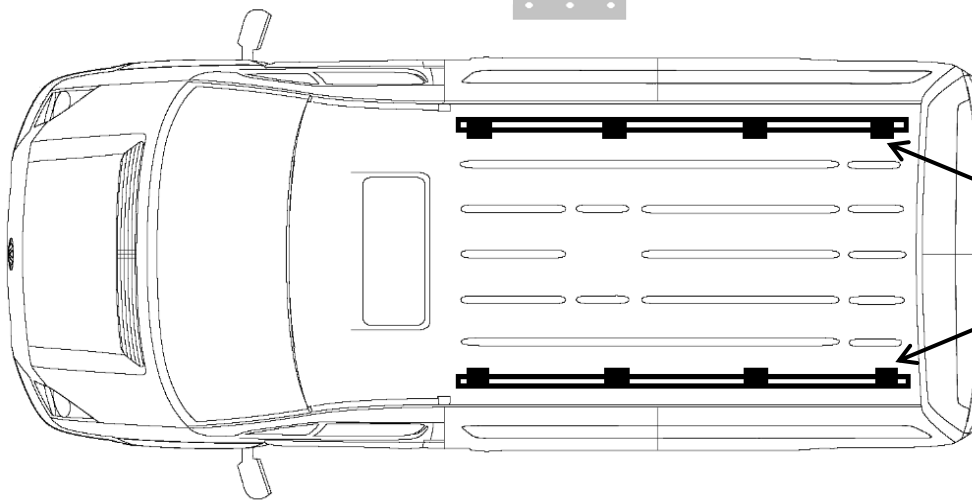
2E1 860 181
 2E0 853 669
 2E1 867 279A
 2E1 860 182
 2E1 860 183
 2E1 860 184
 N 907 337 01


MERCEDES

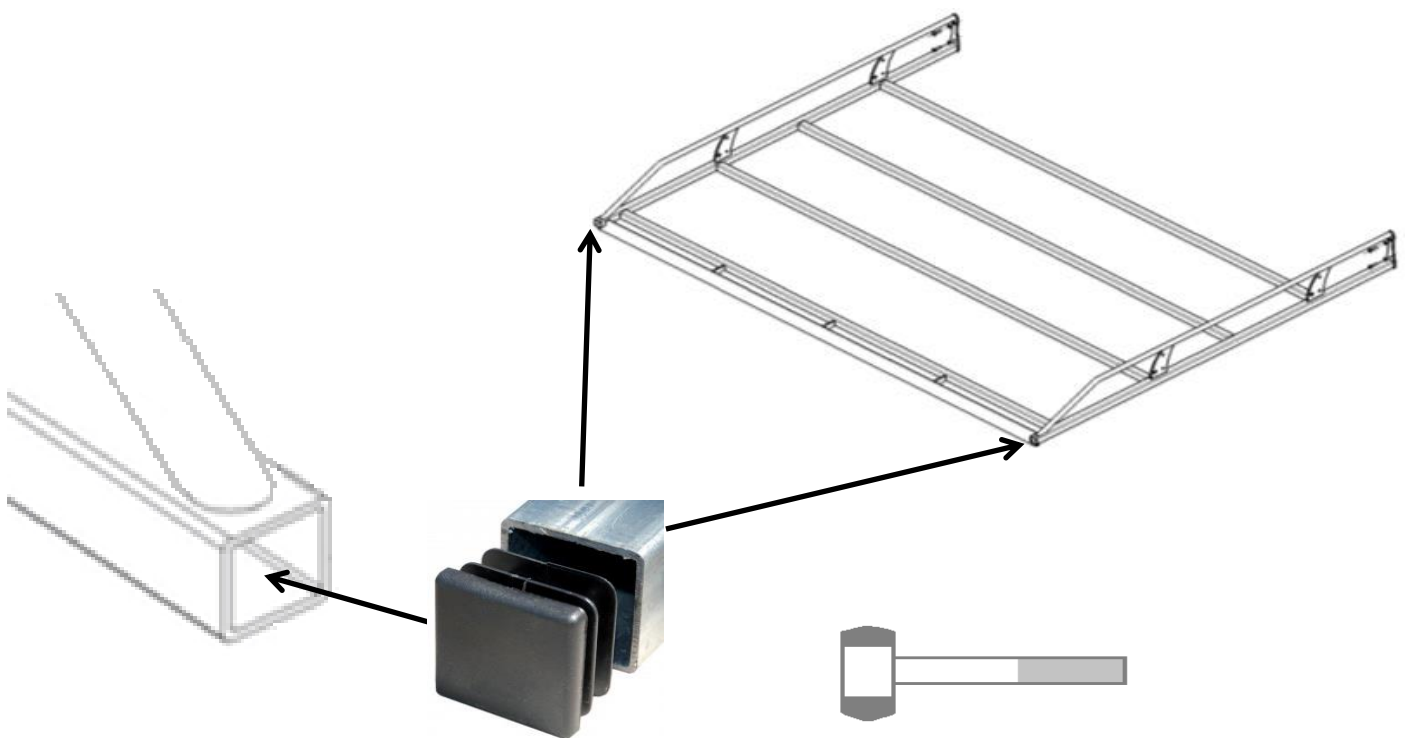
68017893AA
 68017894AA
 68017897AA
 68017898AA
 68017899AA
 05098361AA
 05126256AA

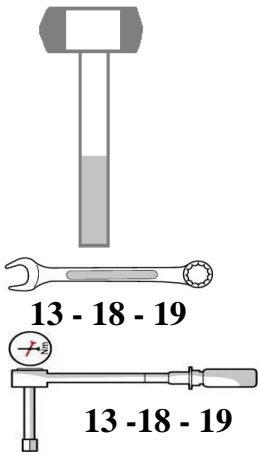
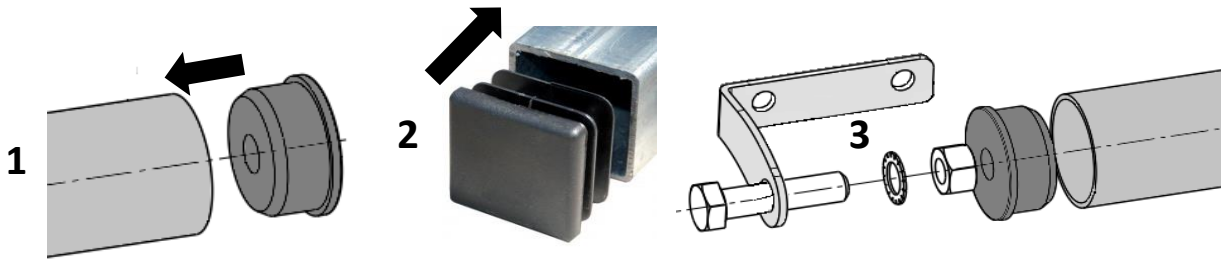


A  HM 6 x 20 Cl 8.8
 CS 6 x 12




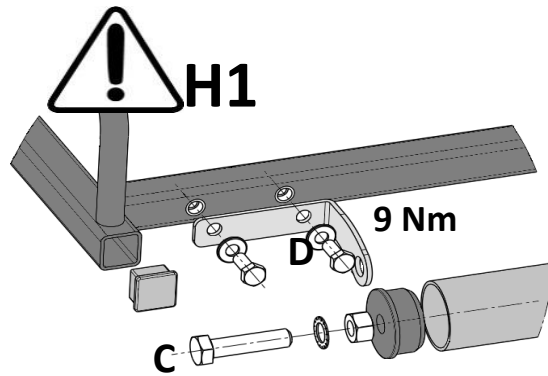

 L1 H1 x 4
 L2 H1 x 4
 L2 H2 x 4
 L3 H2 x 5
 L4 H2 x 5



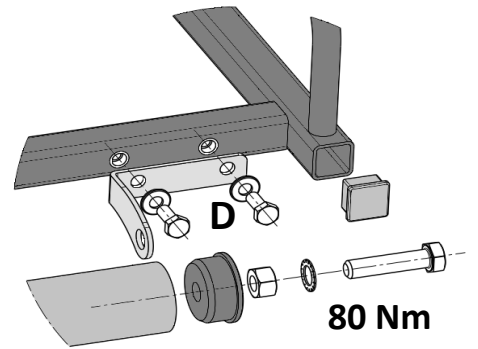


13 - 18 - 19

13 - 18 - 19



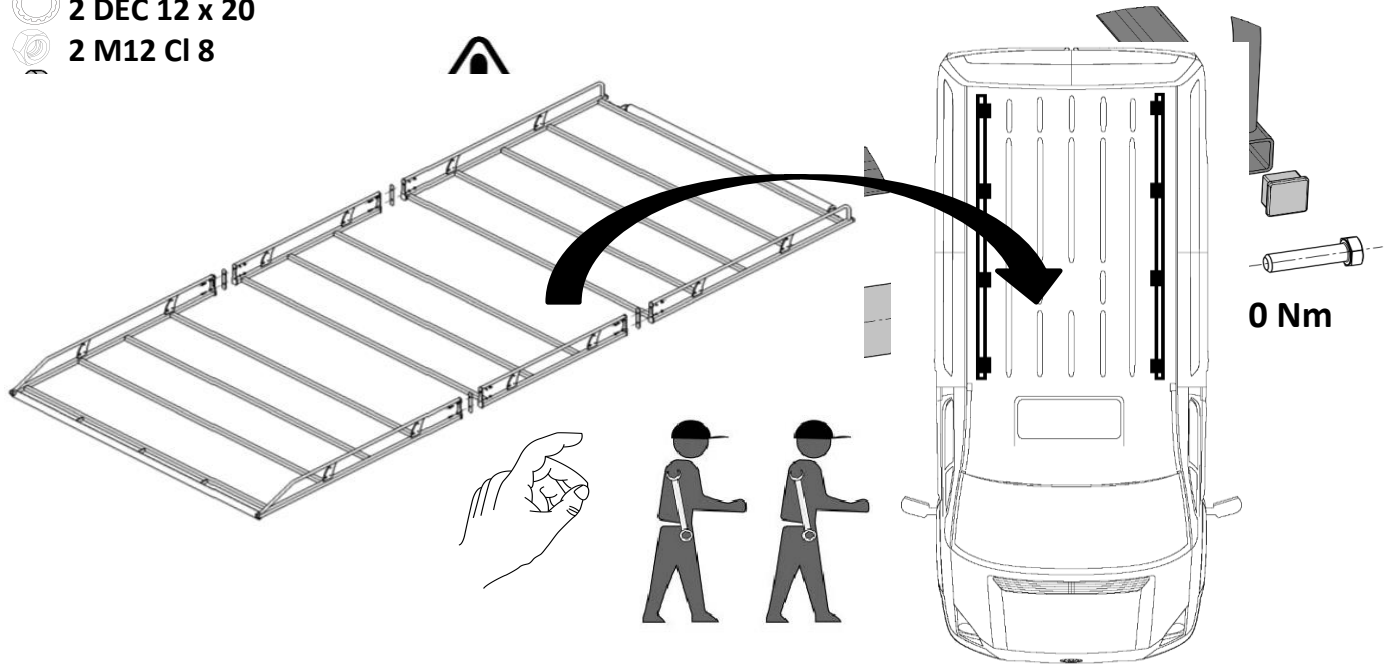
C



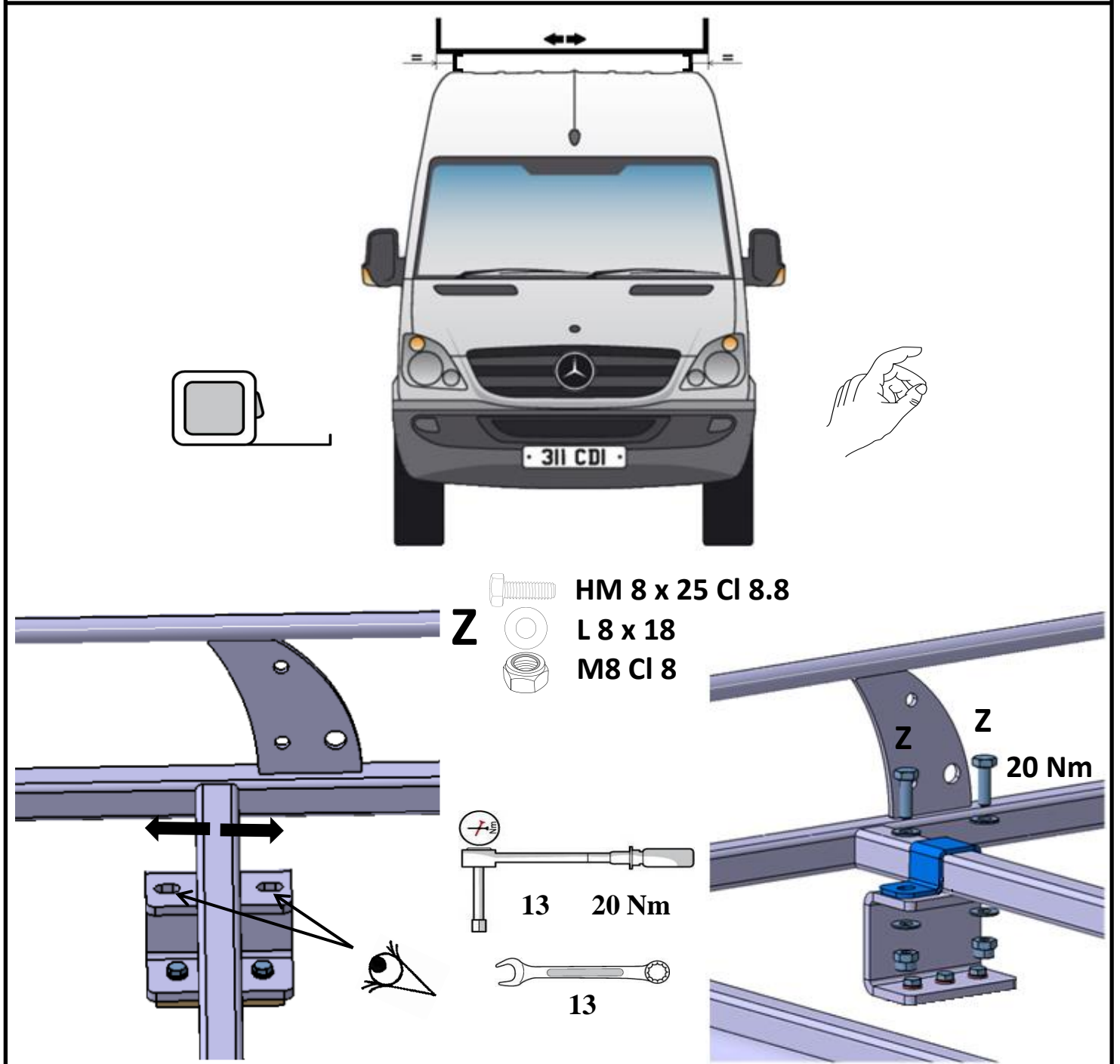
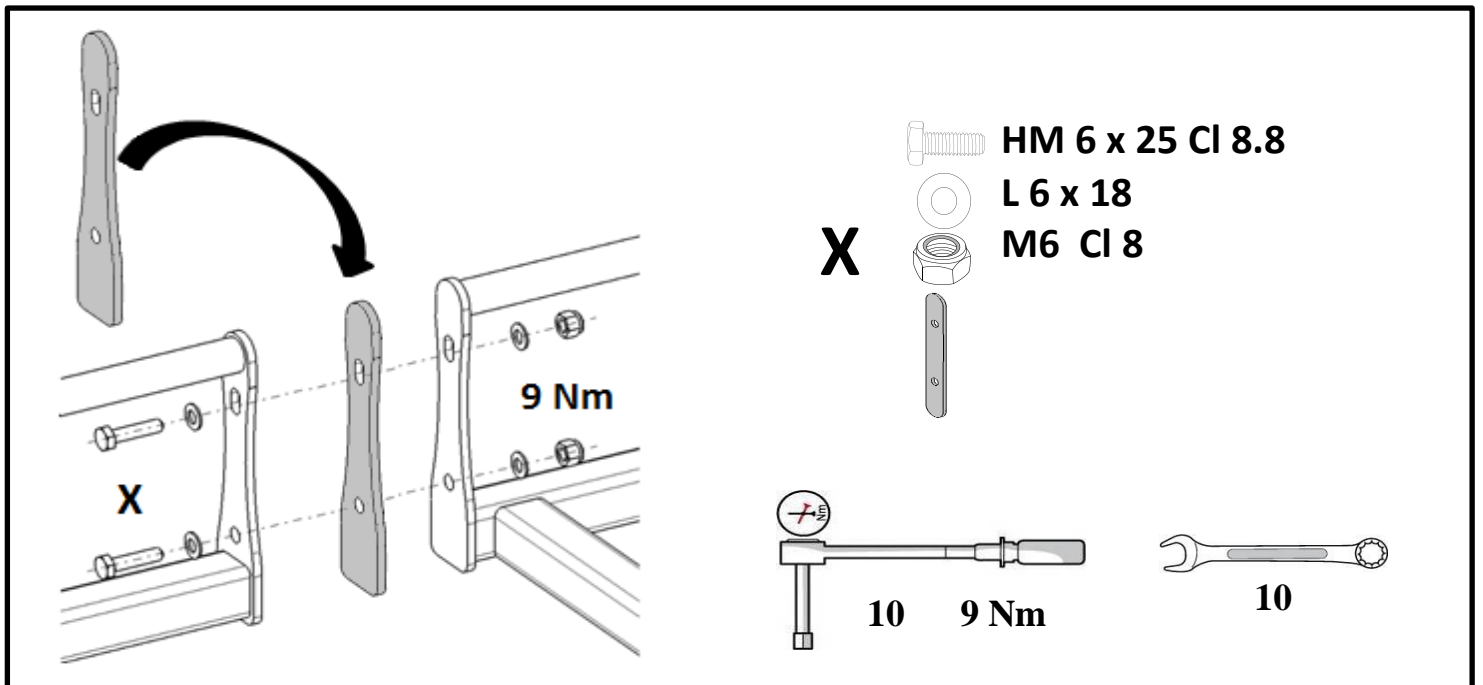
2 HM 12 x 50 CI 8.8

2 DEC 12 x 20

2 M12 CI 8



0 Nm



6

