



507261700001

507261700051

507379700001

507379700051



507259700001

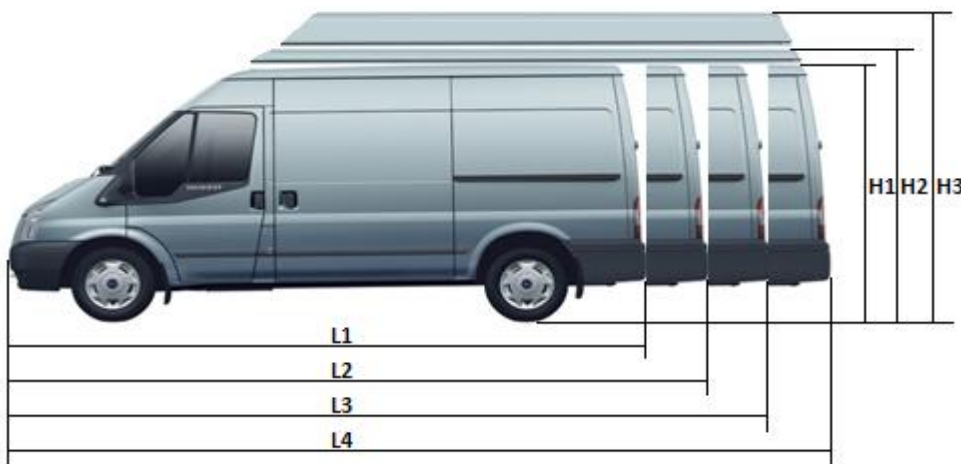
507259700051

507285700001

507285700051



**FORD TRANSIT - TOURNEO TRANSIT 01/2006 >**



- C = L1H2
- CP = L1H1
- M = L2H2
- MP = L2H1
- MS = L2H3
- L = L3H2
- LS = L3H3
- ELS = L4H3

**L1 H1**

507261700001 = 500002702003 + 507261700002

507262700051 = 500002702053 + 507261700052

**L1 H2 + L2H2**

507379700001 = 500002702003 + 507379700002

507379700051 = 500002702053 + 507379700052

**L2 H1**

507259700001 = 500002702003 + 500002702005 + 507259700002

507259700051 = 500002702053 + 500002702055 + 507259700052

**L3 H2**

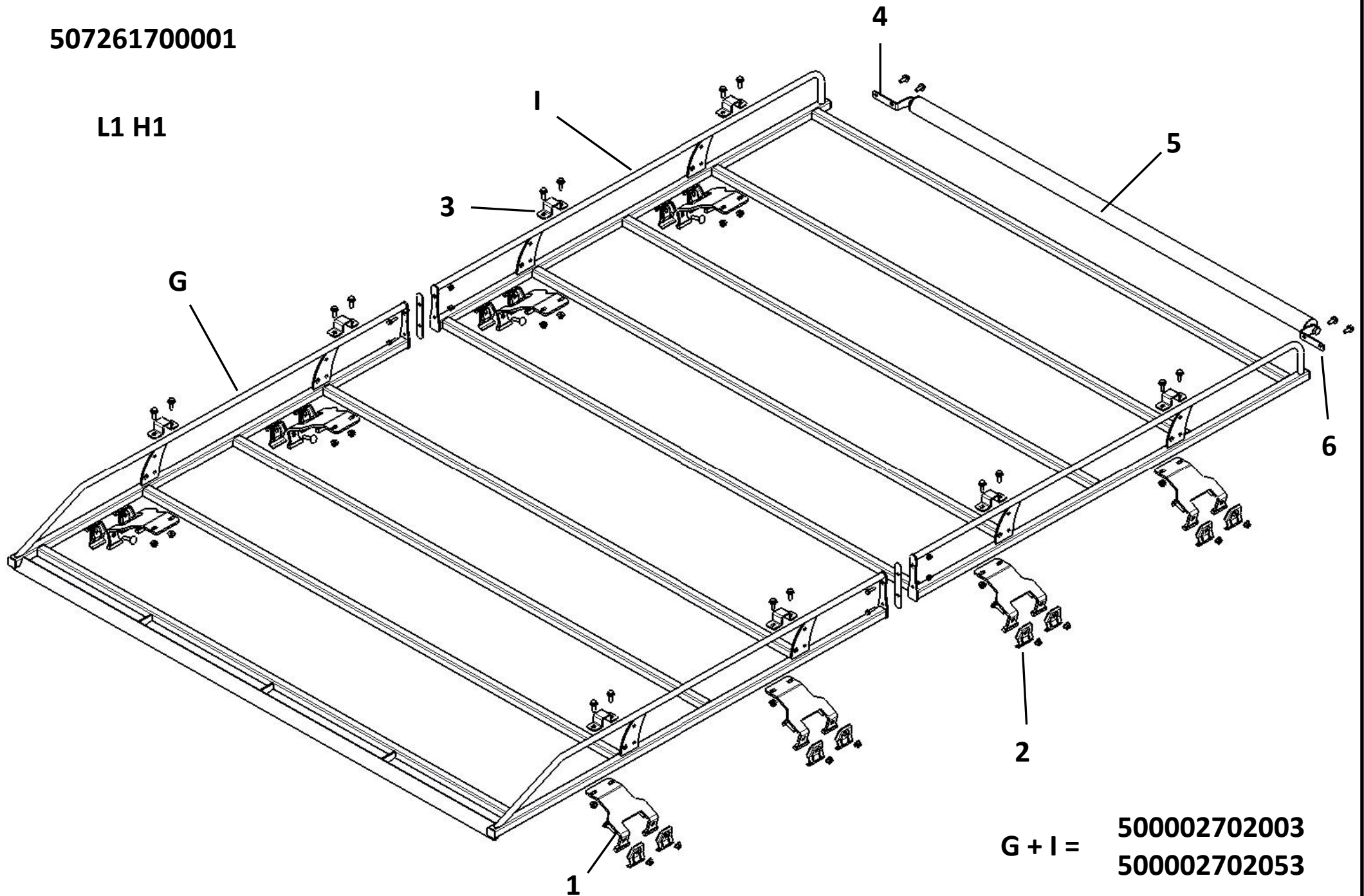
507285700001 = 500002702003 + 500002702005 + 507285700002

507285700051 = 500002702053 + 500002702055 + 507285700052

~~L2 H3 (280MS, 300MS, 330MS, 350MS) L3H3 (300LS, 330LS, 350LS)  
L4H3 (350 ELS)~~

507261700001

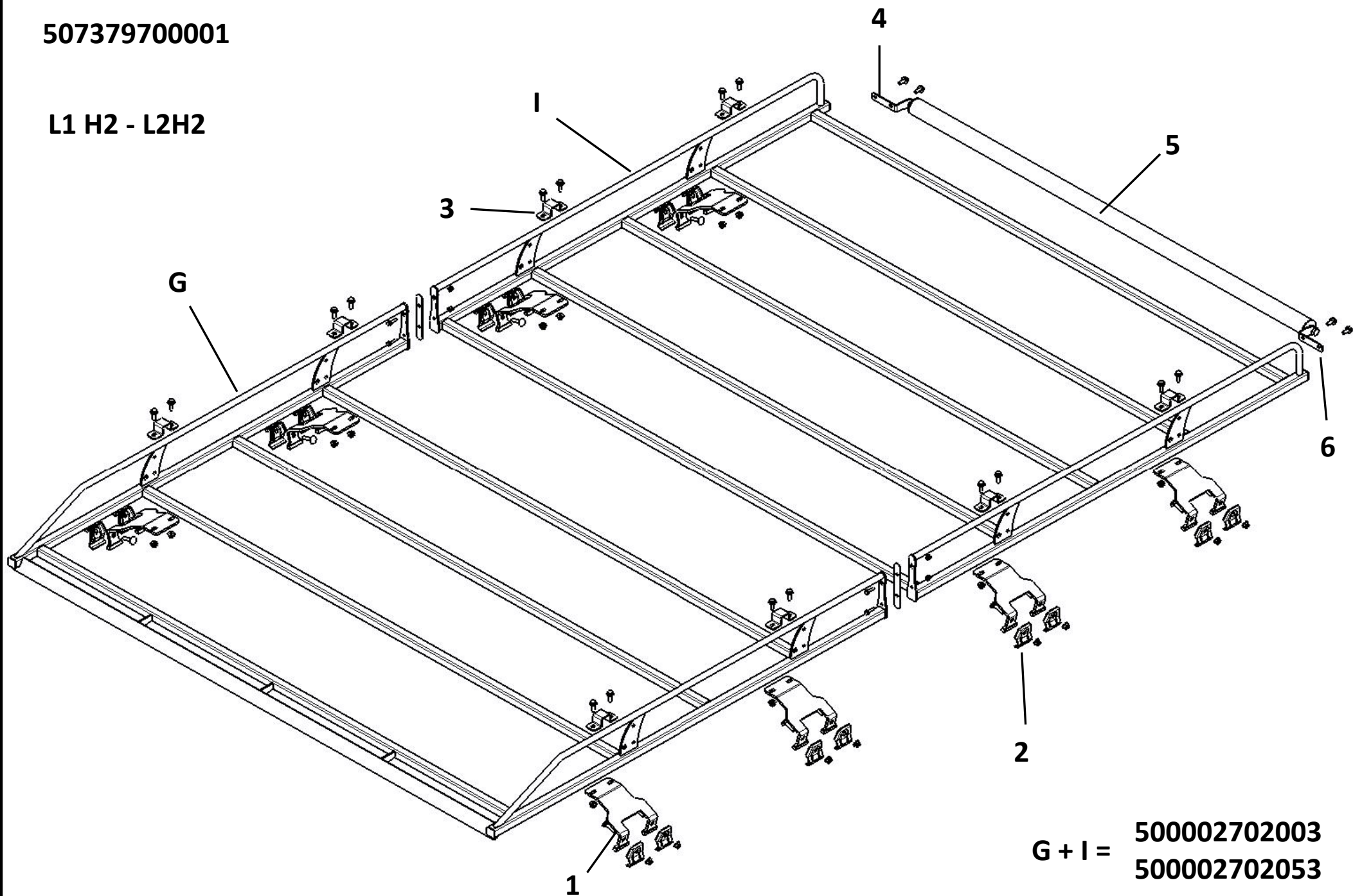
L1 H1



G + I = 50002702003  
50002702053

507379700001

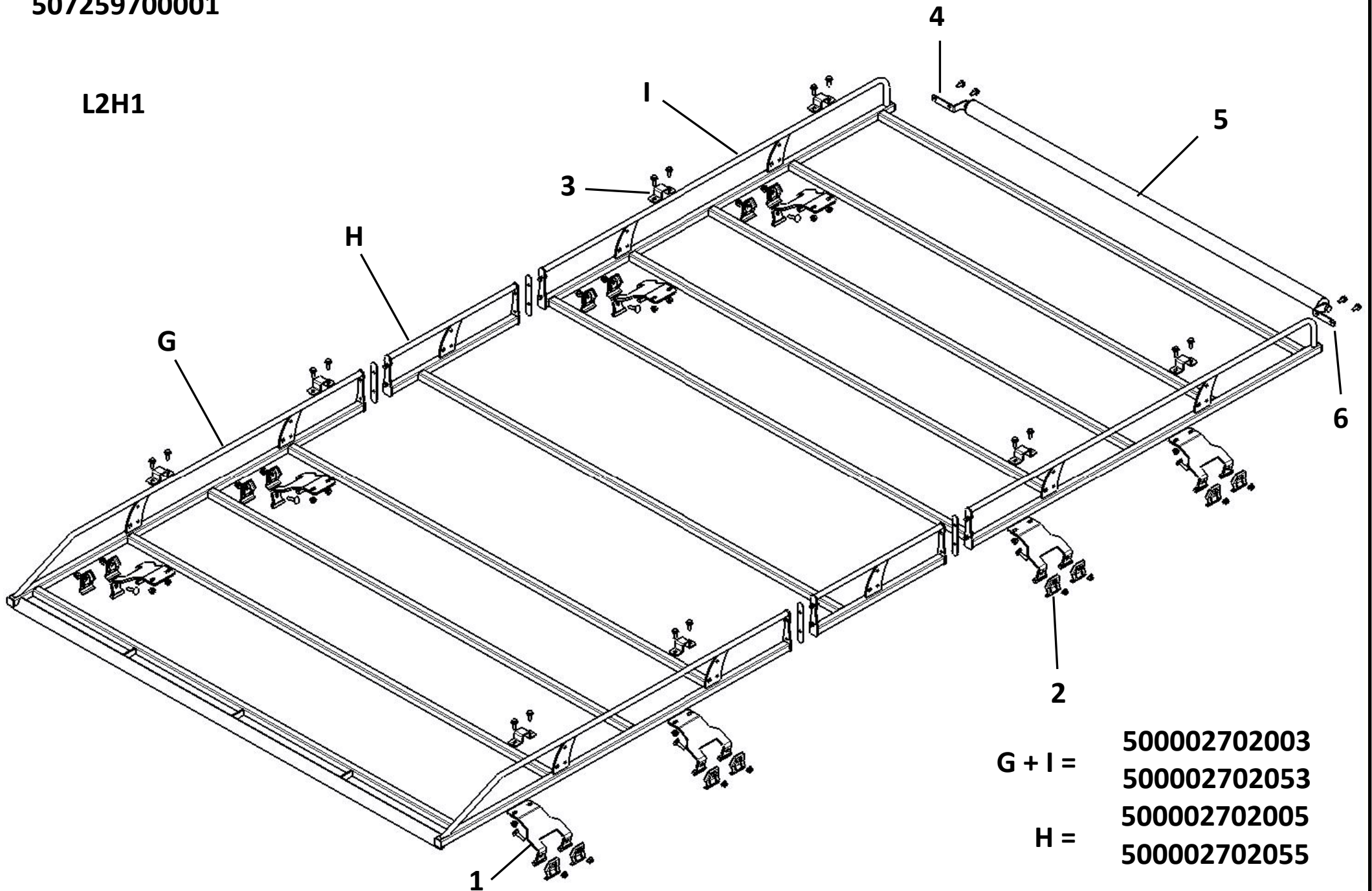
L1 H2 - L2H2



G + I = 50002702003  
50002702053

50725970001

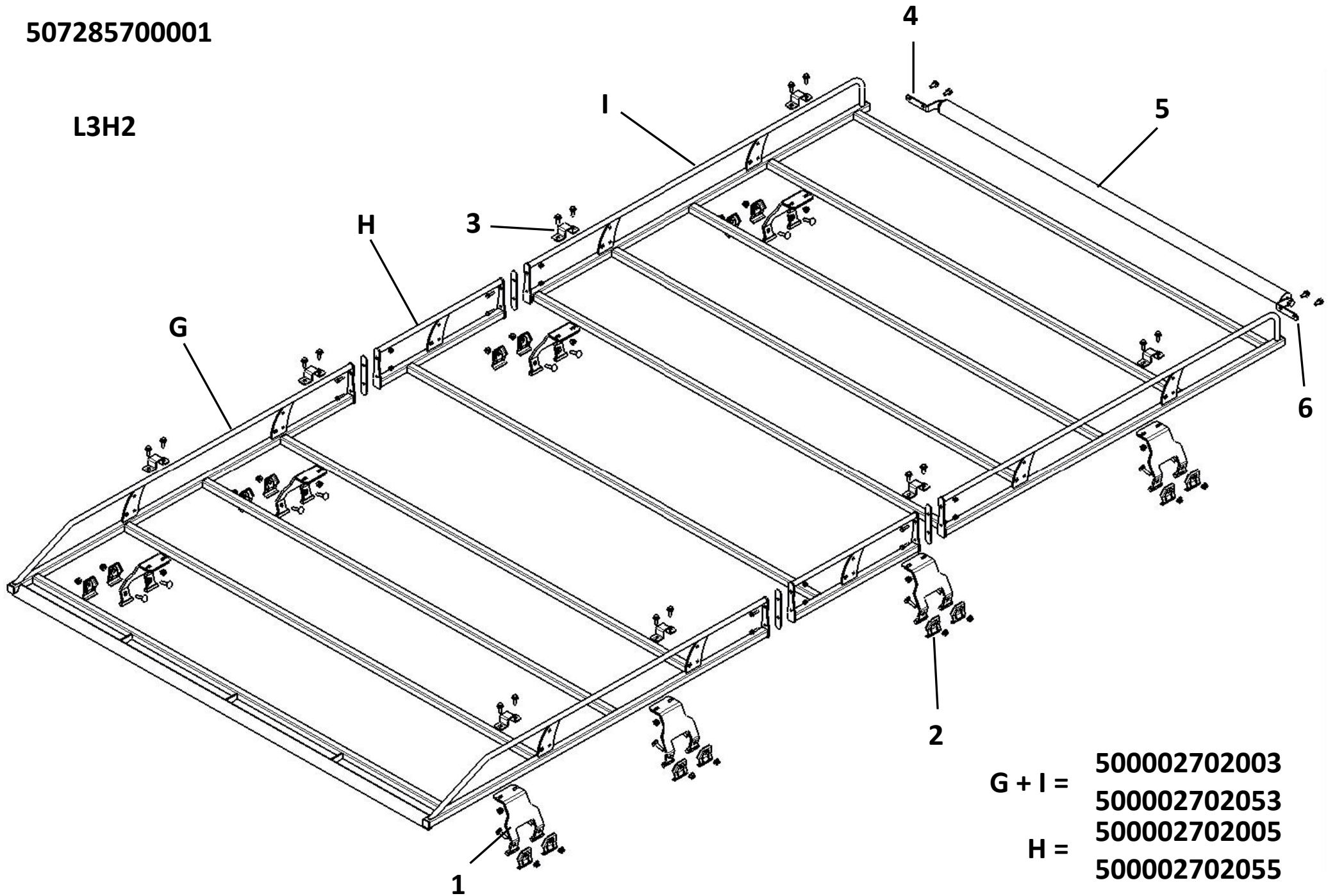
L2H1



G + I = 50002702003  
50002702053  
H = 50002702005  
50002702055

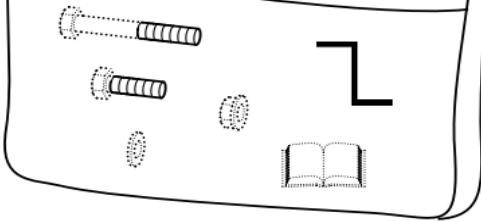
507285700001

L3H2

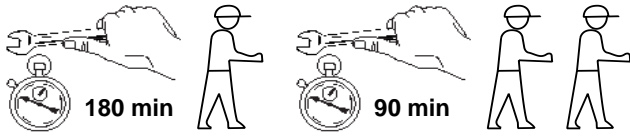
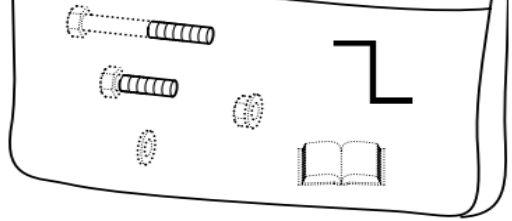


G + I = 500002702003  
500002702053  
H = 500002702005  
500002702055

507261700002 - 507379700002  
507259700002 - 507285700002



507261700052 - 507379700052  
507259700052 - 507285700052



L1H1 = 200 Kg  
L1H2 - L2H2 = 100 Kg  
L2H1 = 200 Kg  
L3H2 = 100 Kg

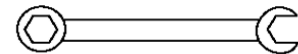
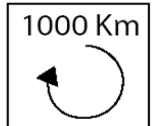
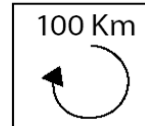
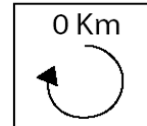
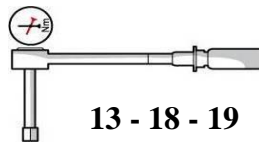
**D** HM 8 x 20 Cl 8.8 20Nm  
CS 8 x 22

**E** TRCC 8 x 35 Cl 8.8 20 Nm  
L 8 x 18  
M8 Cl 8

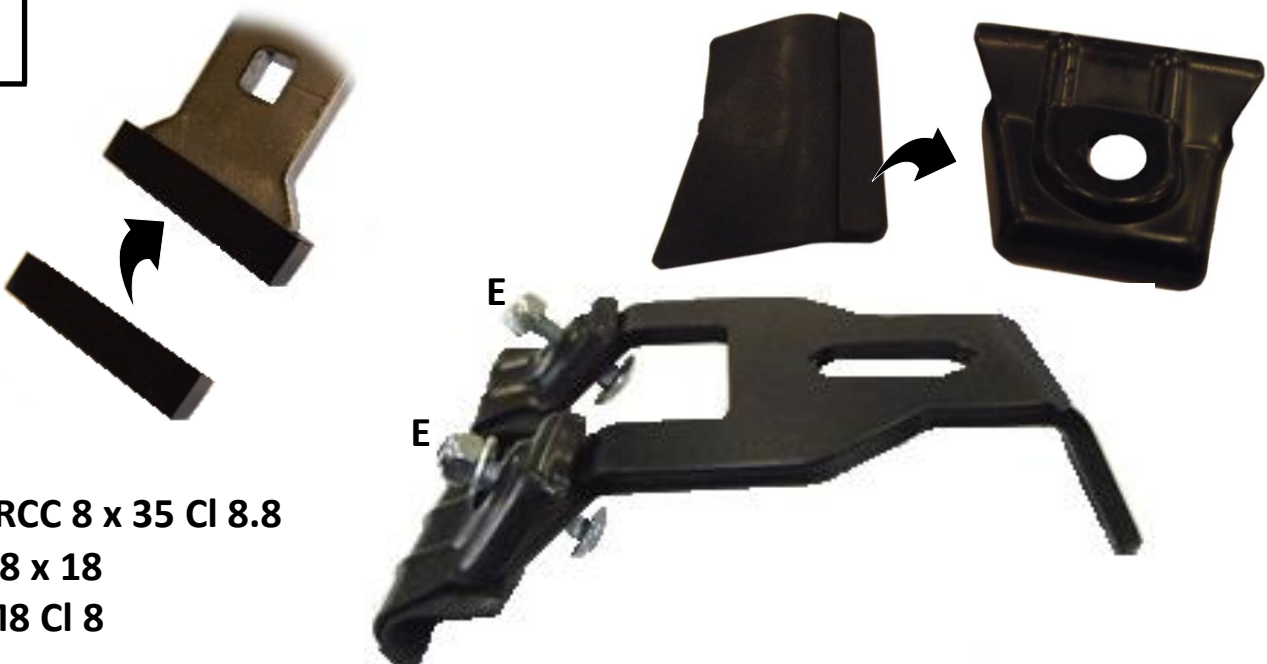
**Z** HM 8 x 25 Cl 8.8 20 Nm  
L 8 x 18  
M8 Cl 8

**X** HM 6 x 18 Cl 8.8 9 Nm  
L 6 x 18  
M6 Cl 8

**C** HM 12 x 50 Cl 8.8 80 Nm  
CS 12  
M12 Cl 8  
45 x 40 x 10

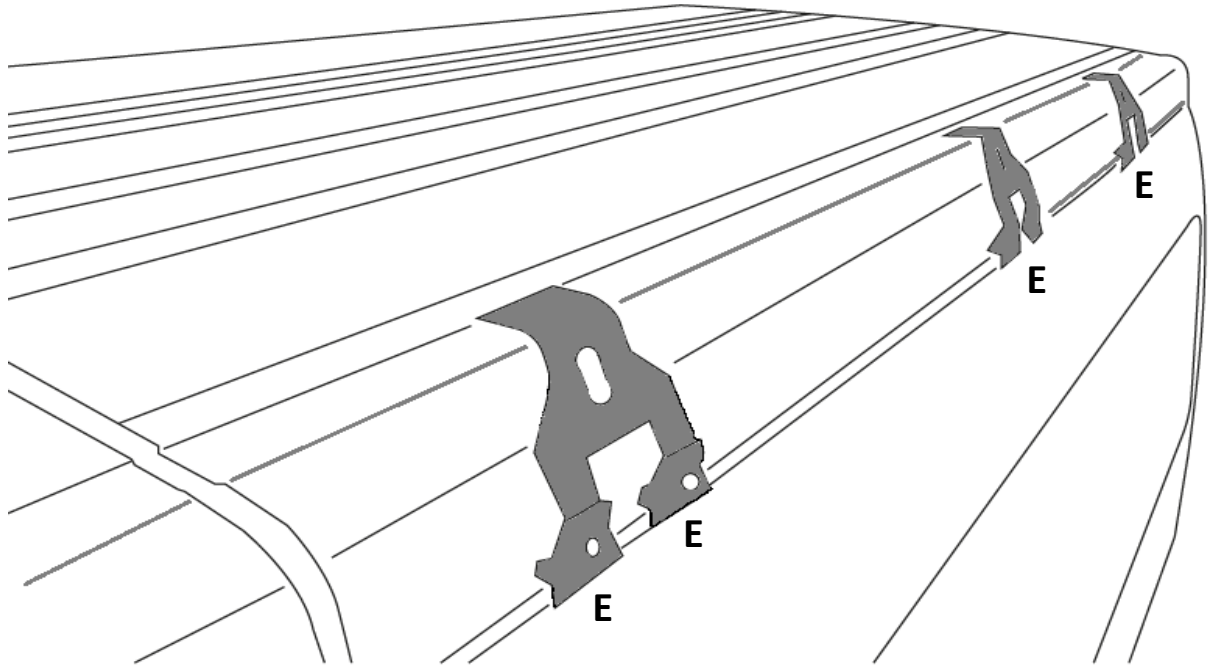


**1**

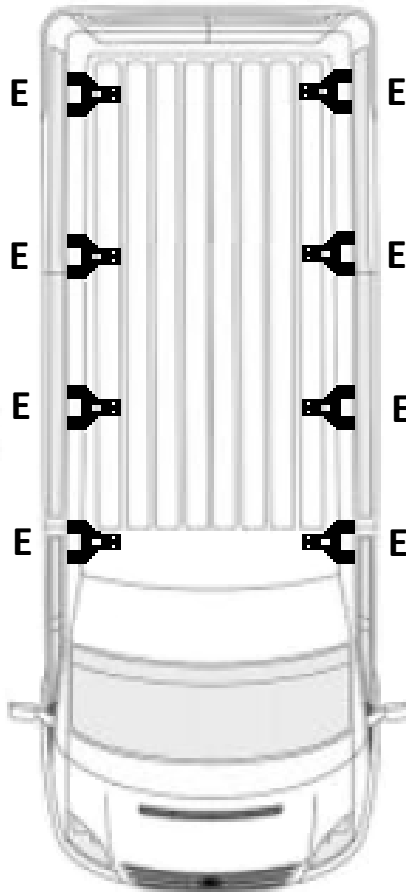


TRCC 8 x 35 Cl 8.8  
L 8 x 18  
M8 Cl 8

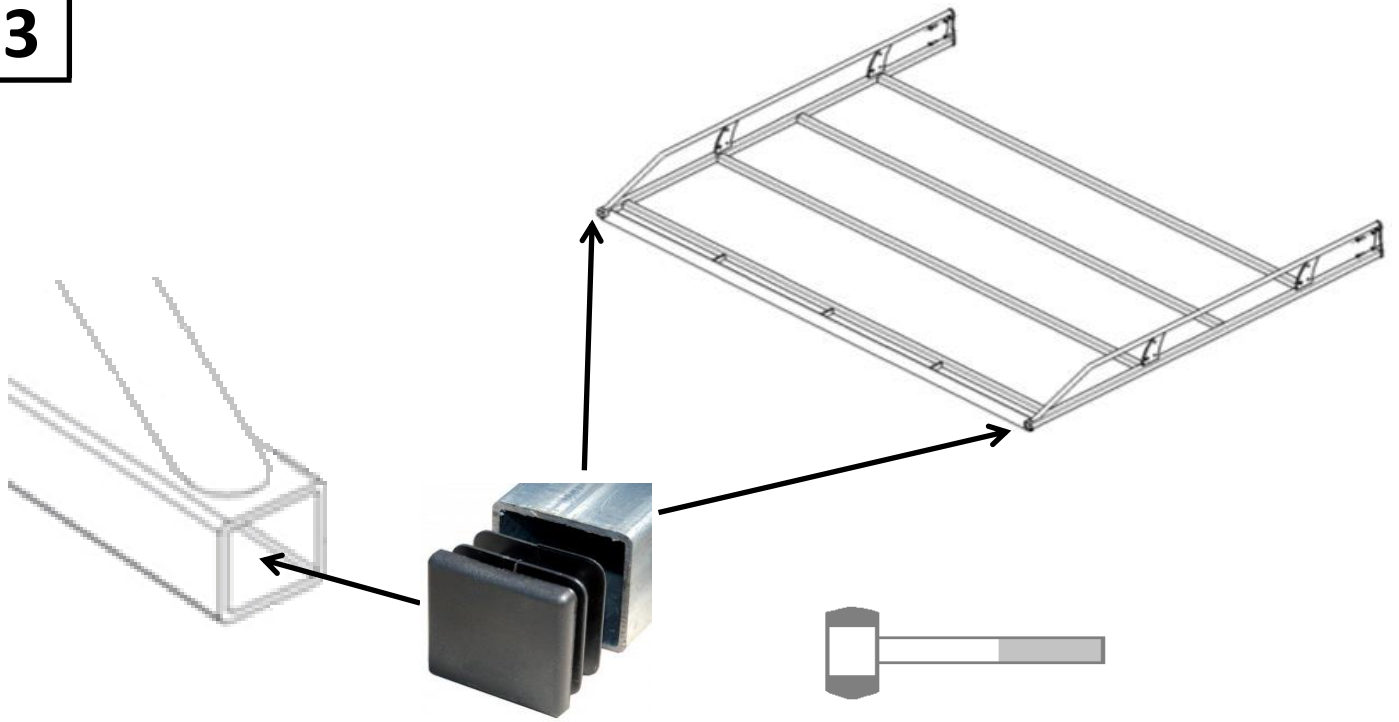
2



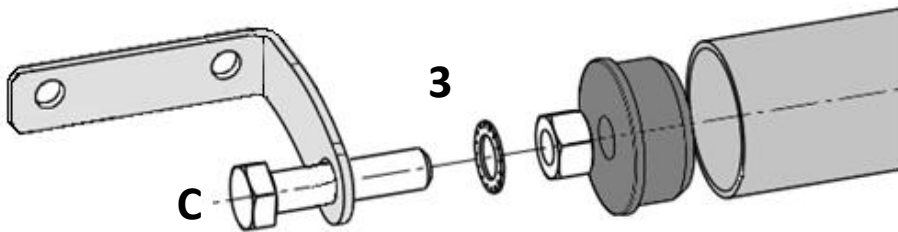
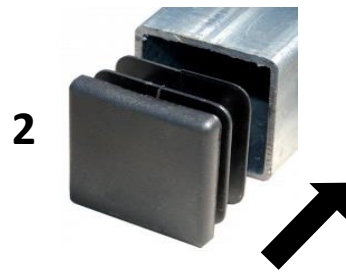
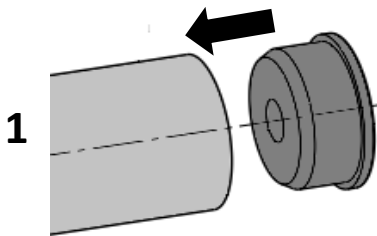
TRCC 8 x 35 Cl 8.8  
L 8 x 18  
M8 Cl 8









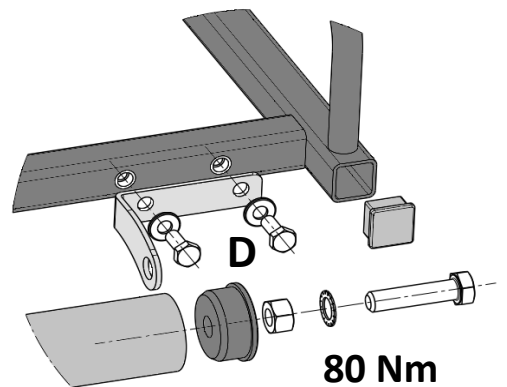
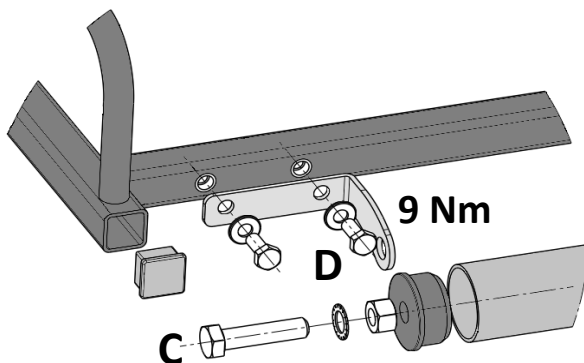
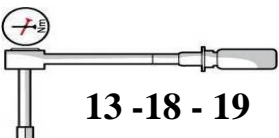
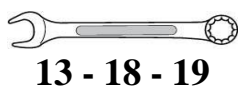
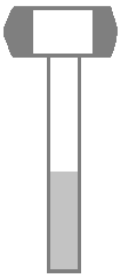
3



4

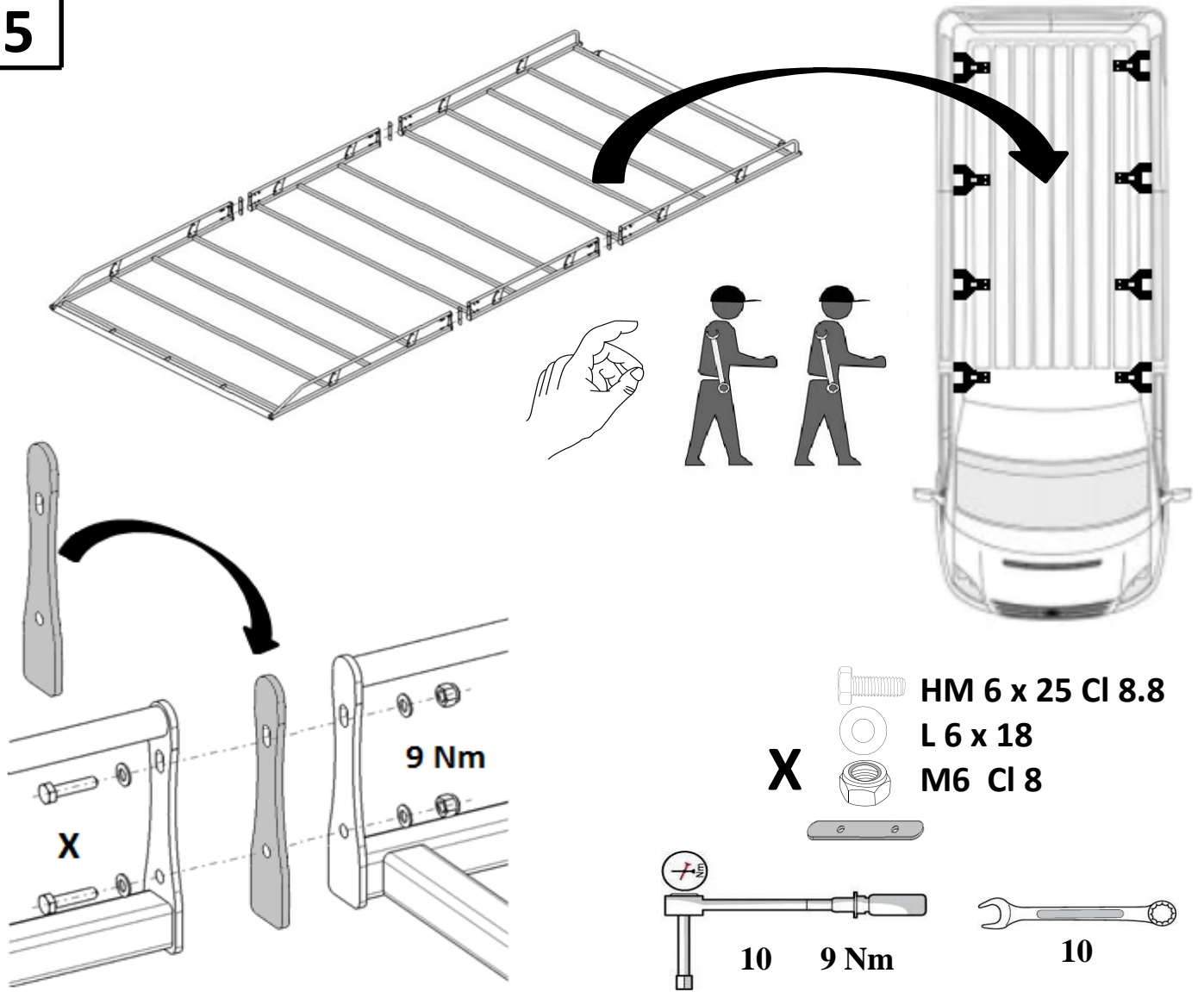


- C**
-  2 HM 12 x 50 CI 8.8
  -  2 DEC 12 x 20
  -  2 M12 CI 8
  -  45 x 40 x 10
- D**
-  4 HM 8 x 20 CI 8.8
  -  4 CS 8 x 22

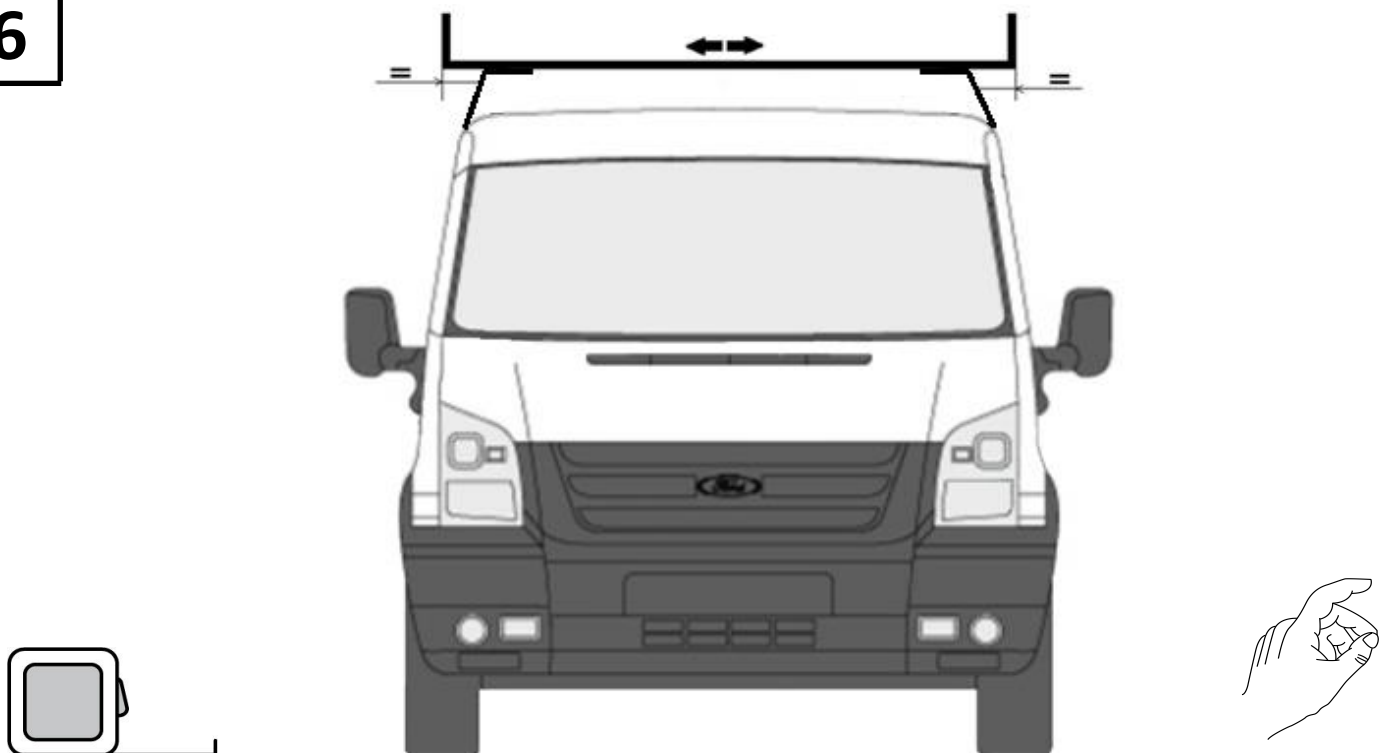







5

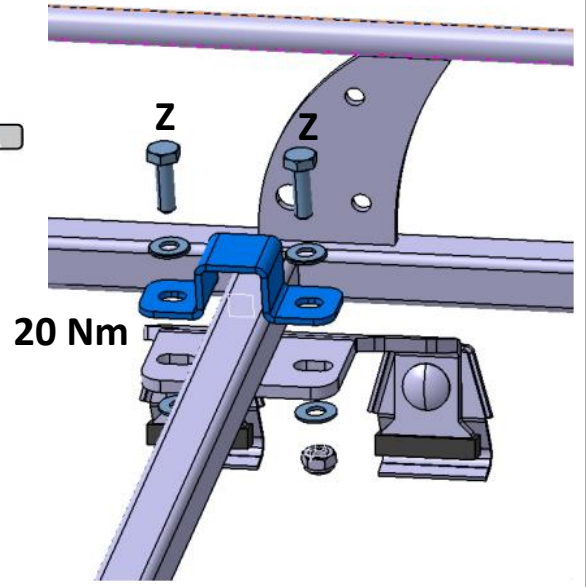
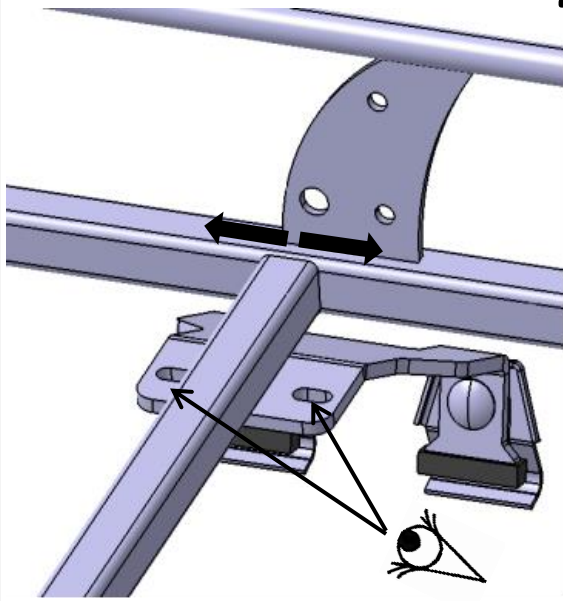
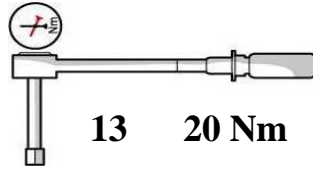


6



7

-  HM 8 x 25 Cl 8.8
- Z**  L 8 x 18
-  M8 Cl 8



8

