



506340700001

506340700051

506341700001

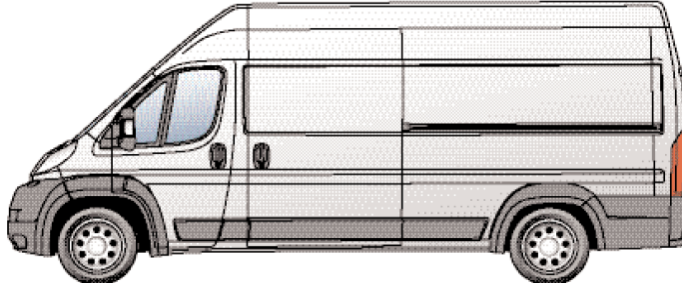
506341700051

506342700001

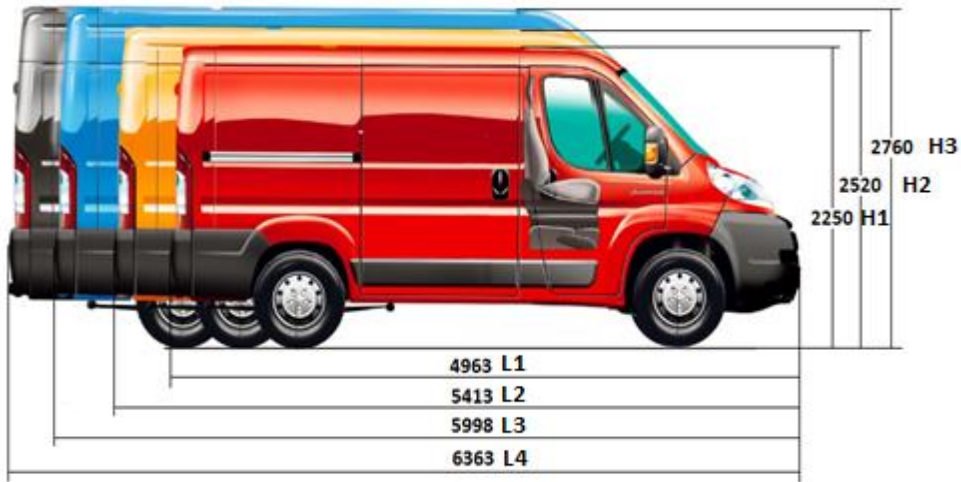
506342700051

506343700001

506343700051



PEUGEOT BOXER - CITROEN JUMPER - FIAT DUCATO 06/2006 >



L1 H1

506340700001 = 500002702003 + 506340700002

506340700051 = 500002702053 + 506340700052

L2 H1 + L2 H2

506341700001 = 500002702003 + 500002702005 + 506341700002

506341700051 = 500002702053 + 500002702055 + 506341700052

L3 H2

506342700001 = 500002702003 + 500002701006 + 506342700002

506342700051 = 500002702053 + 500002701056 + 506342700052

L4 H2

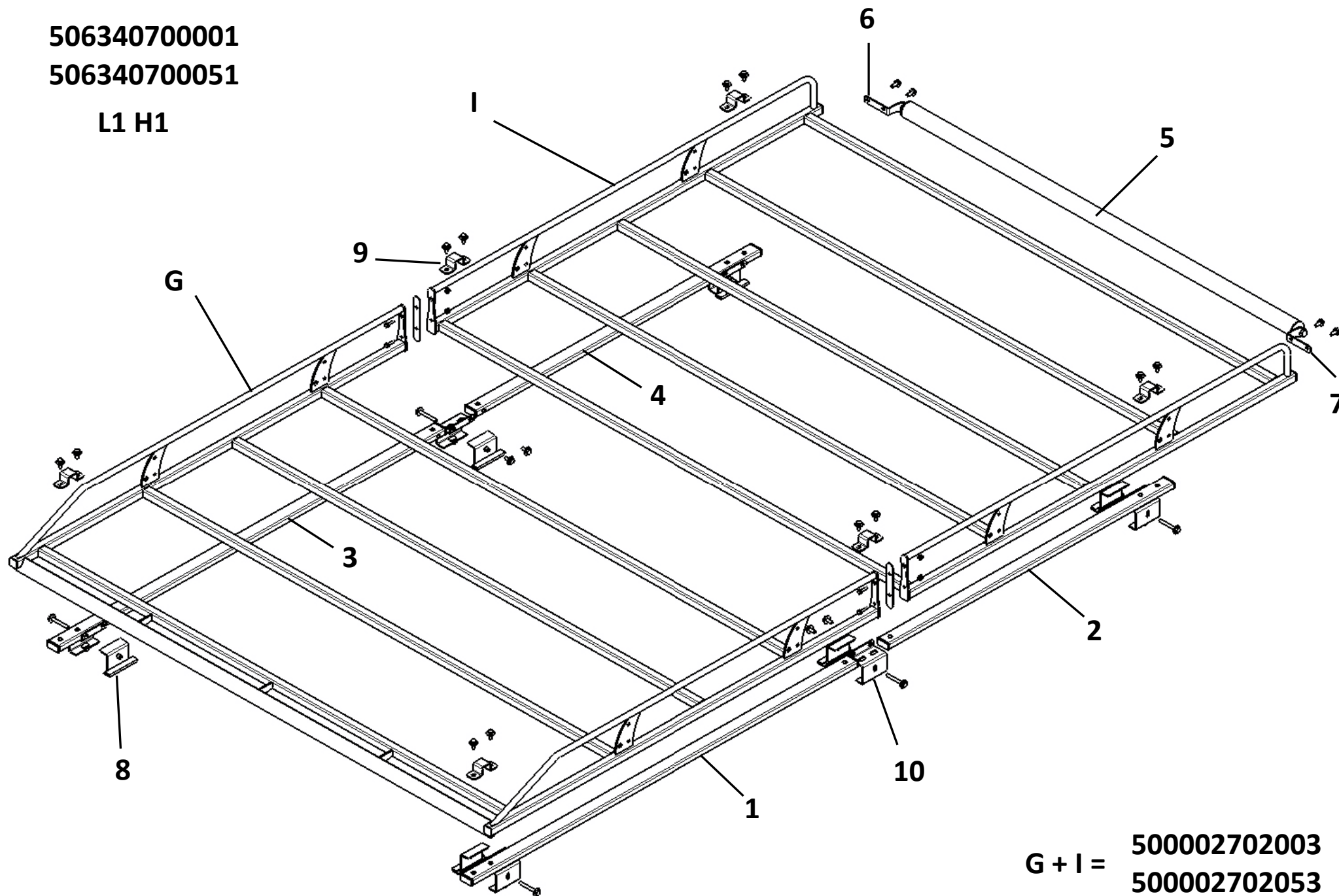
506343700001 = 500002702003 + 500002702005 + 500002701006 + 506343700002

506343700051 = 500002702053 + 500002702055 + 500002701056 + 506343700052

50634070001

50634070051

L1 H1

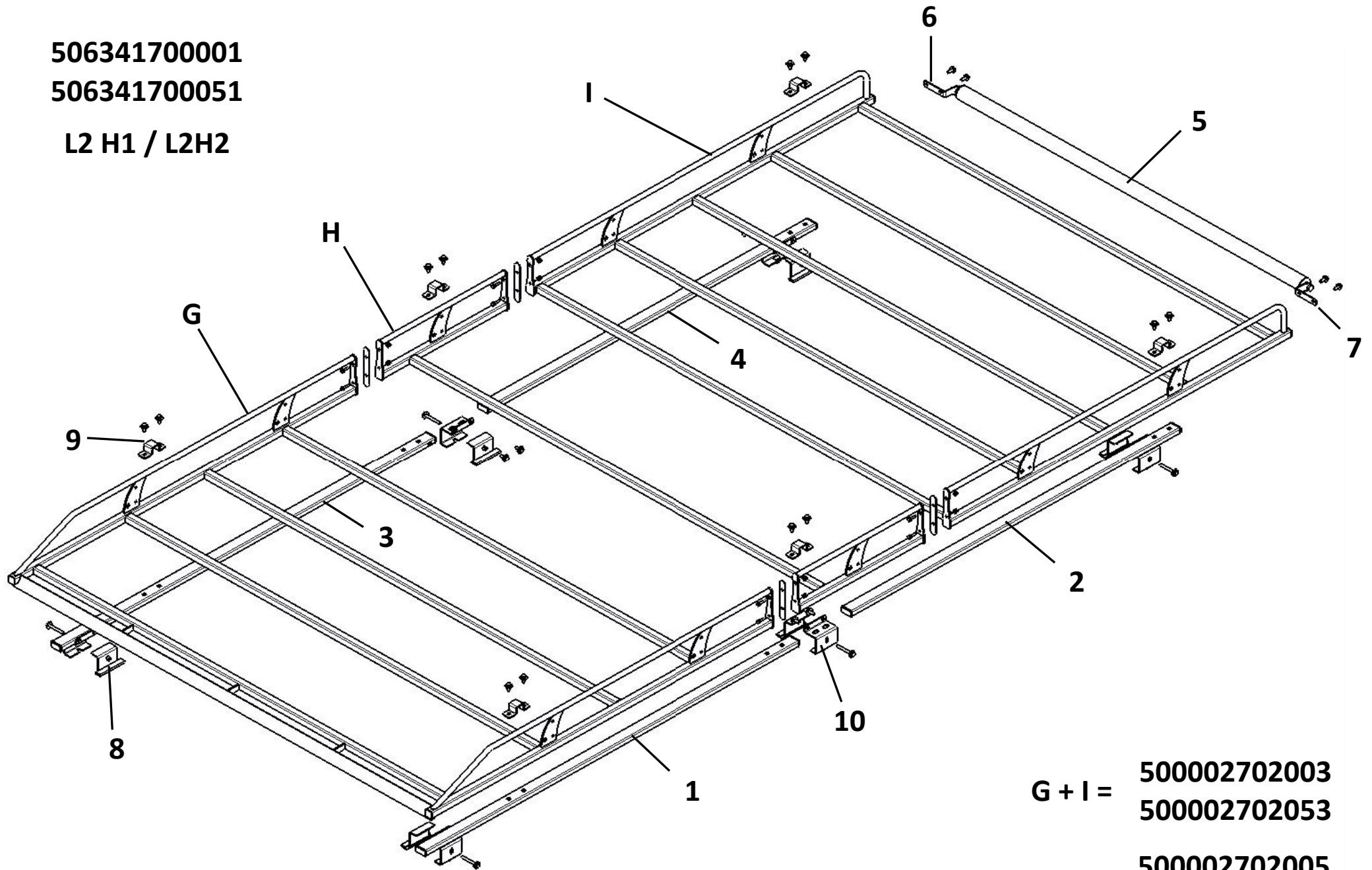


G + I = 50002702003
50002702053

50634170001

50634170051

L2 H1 / L2H2

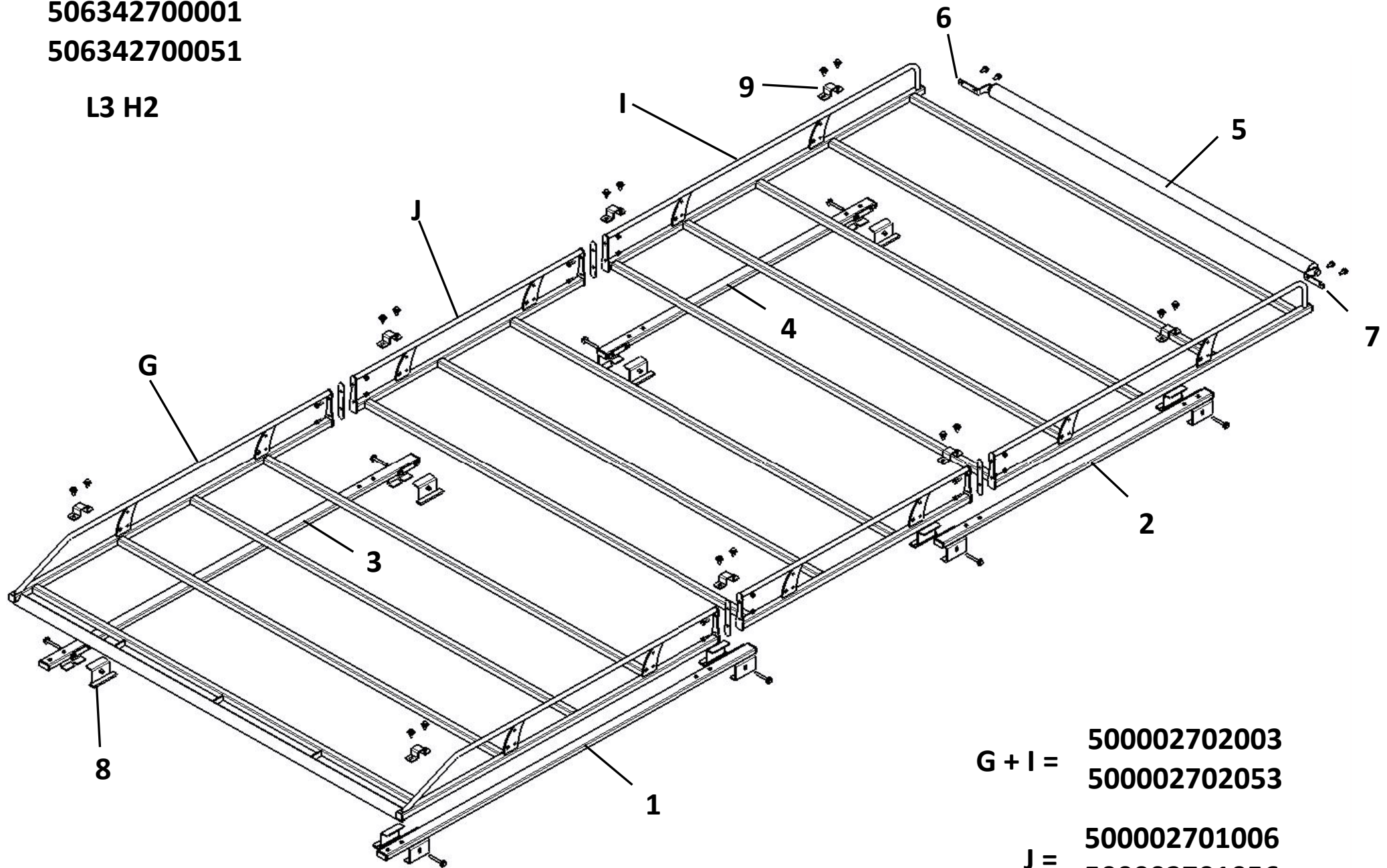


G + I = 50002702003
50002702053

H = 50002702005
50002702055

50634270001
50634270051

L3 H2

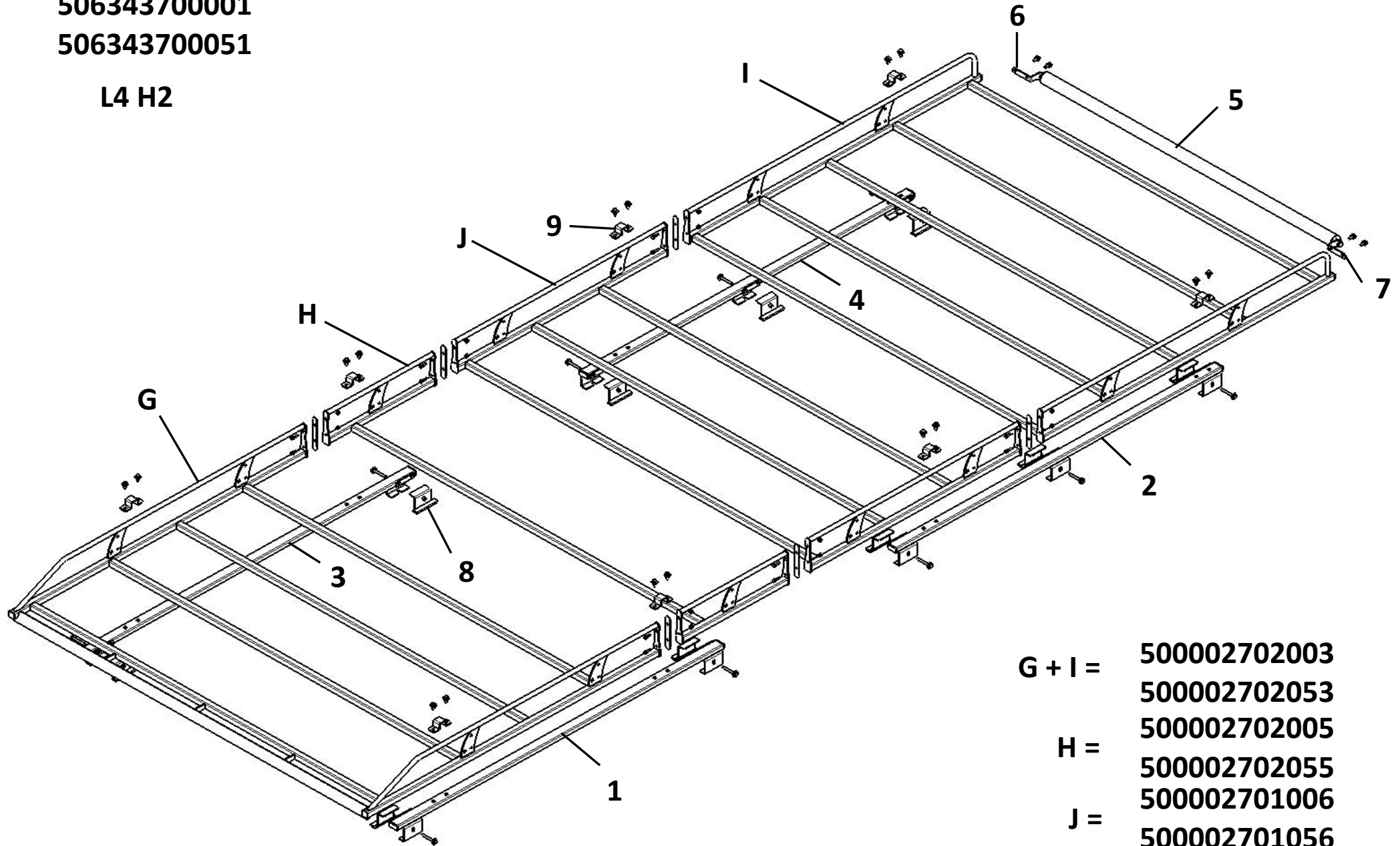


G + I = 50002702003
50002702053
J = 50002701006
50002701056

506343700001

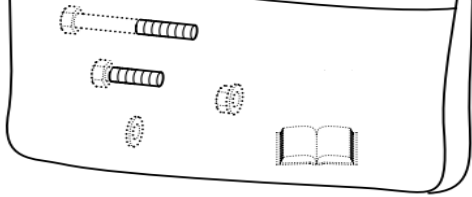
5063437000051

L4 H2

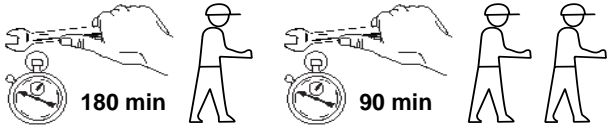
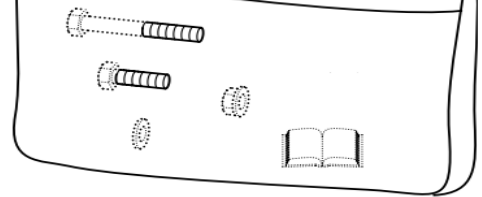


G + I =	500002702003
	500002702053
H =	500002702005
	500002702055
J =	500002701006
	500002701056

506340700002 - 506341700002
506342700002 - 506343700002



506340700052 - 506341700052
506342700052 - 506343700052



L1H1 = 100 Kg
L2H1 = 95 Kg
L2H2 = 95 Kg
L3H2 = 85 Kg
L4H2 = 80 Kg

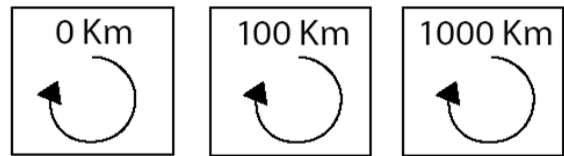
A HM 8 x 60 Cl 8.8 20 Nm
CS 8 x 22

D HM 8 x 20 Cl 8.8 20 Nm
CS 8 x 22

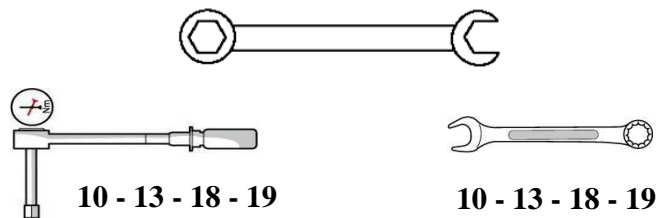
B HM 8 x 20 Cl 8.8 20 Nm
CS 8 x 22

Z HM 8 x 20 Cl 8.8 20 Nm
CS 8 x 22

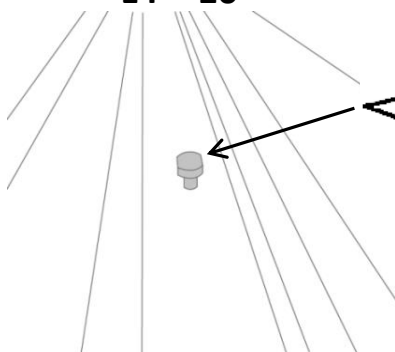
C HM 12 x 50 Cl 8.8 80 Nm
CS 12 x 20
M12 Cl 8
45 x 40 x 10

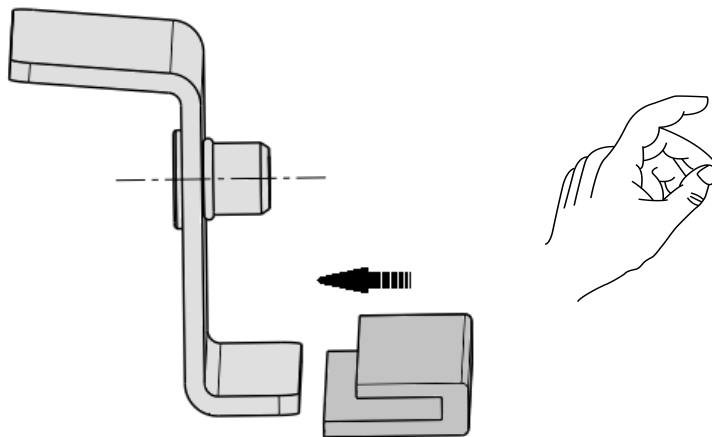


X HM 6 x 25 Cl 8.8 9 Nm
L 6 x 18
M6 Cl 8



L1 = 6
L2 = 6
L3 = 8
L4 = 10



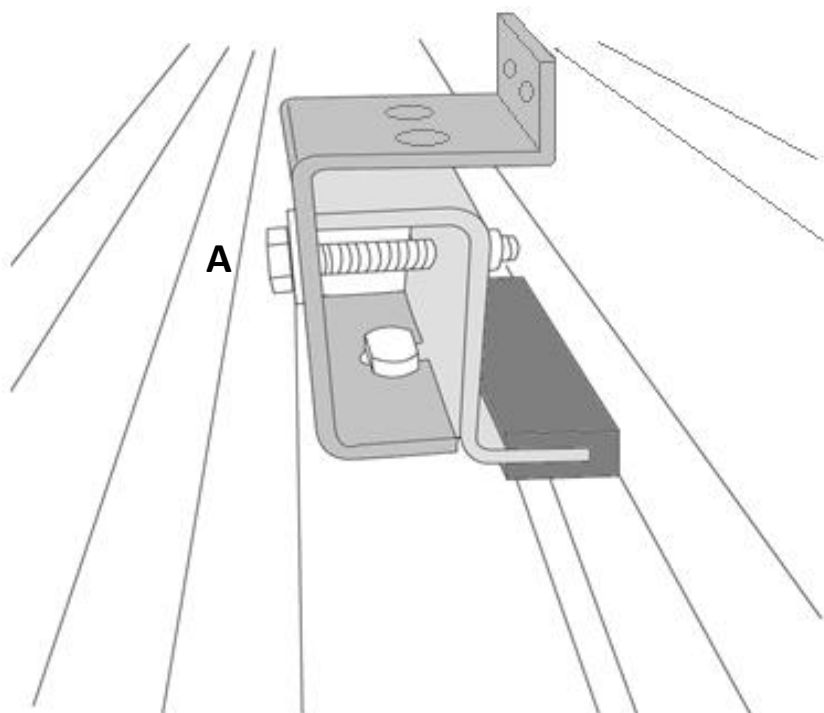
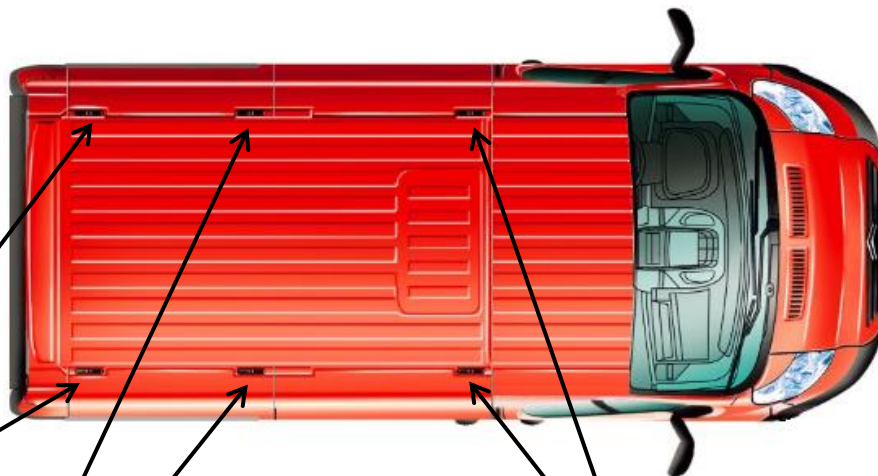


L1

L2

~~L3~~

~~L4~~



A

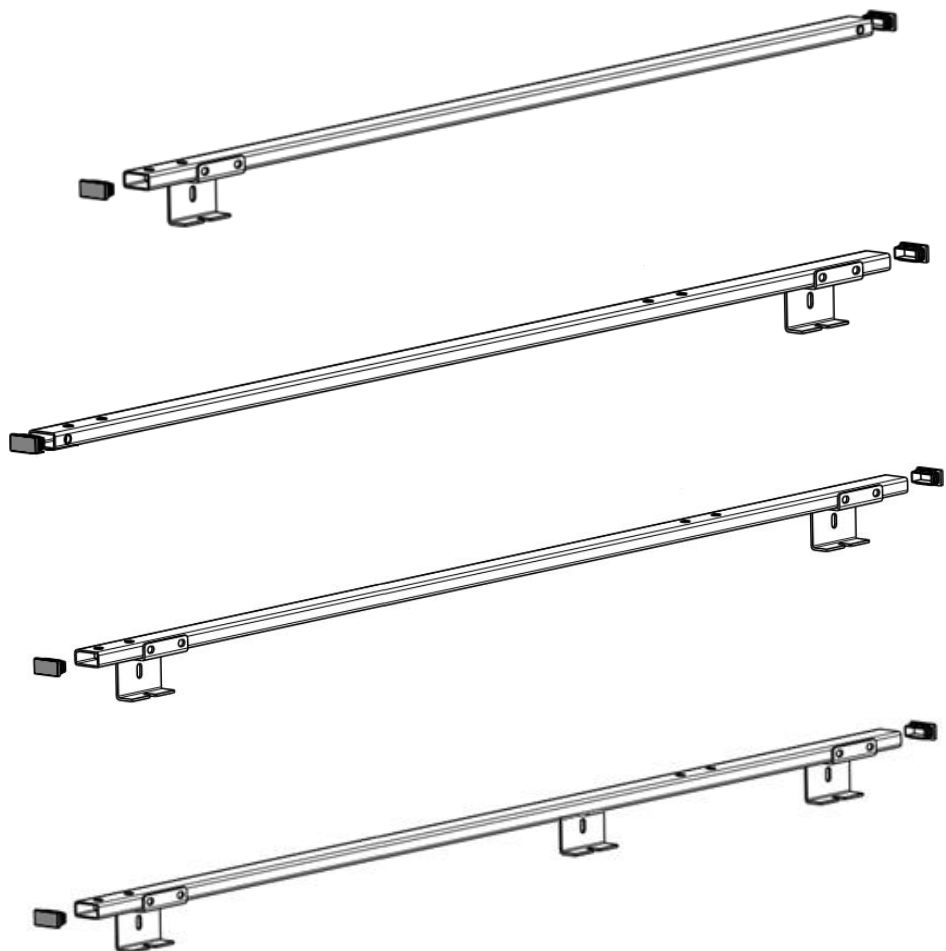


HM 8 x 60 Cl 8.8

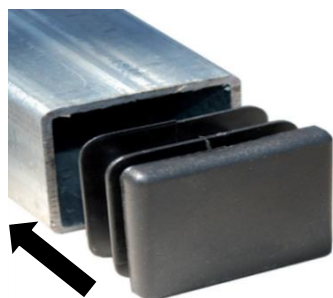


CS 8 x 22

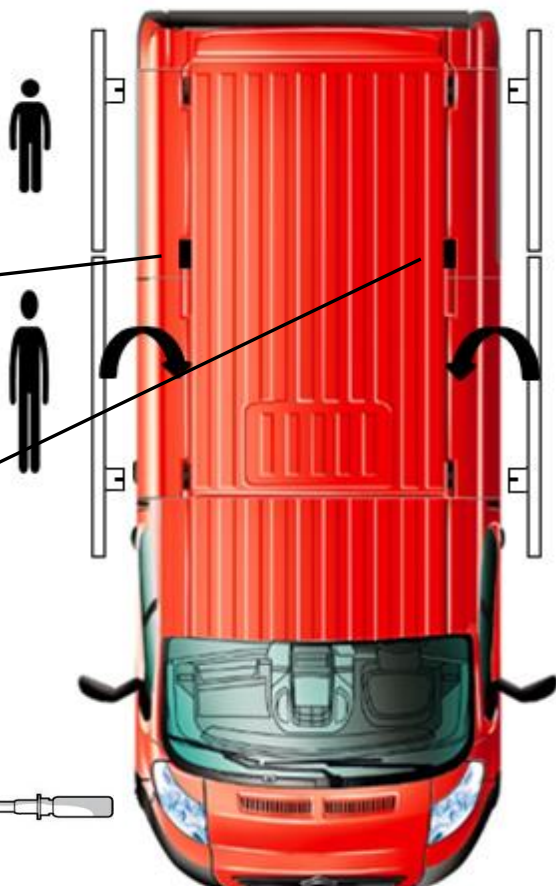
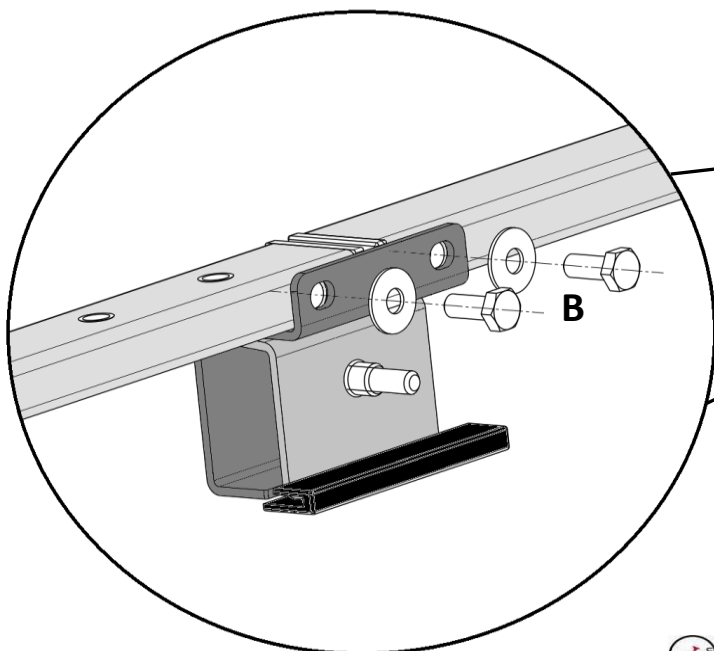
L1
L2



L3
L4

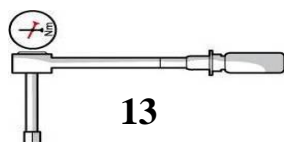


L1 ~~L3~~
L2 ~~L4~~



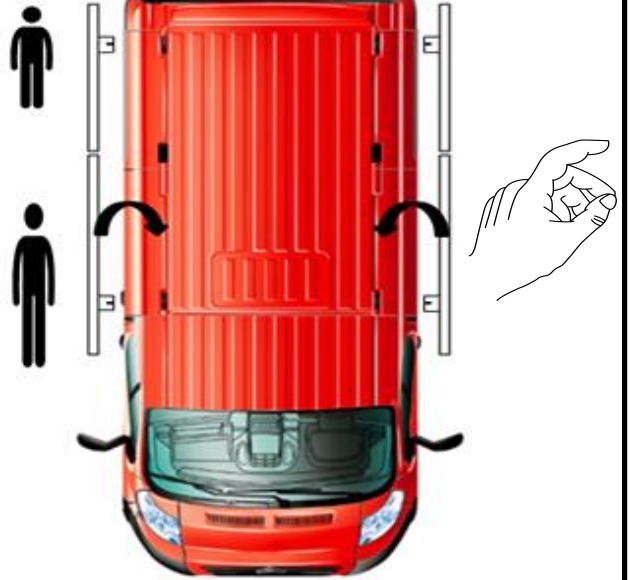
B

4 HM 8 x 20 Cl 8.8 20 Nm
4 CS 8 x 22



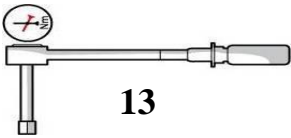


L1
L2
~~L3~~
~~L4~~



A

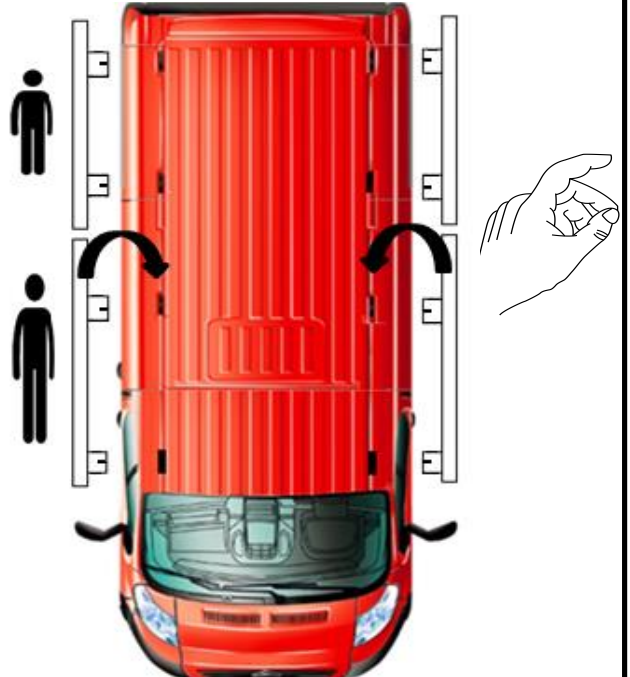
HM 8 x 60 Cl 8.8 20 Nm
CS 8 x 22



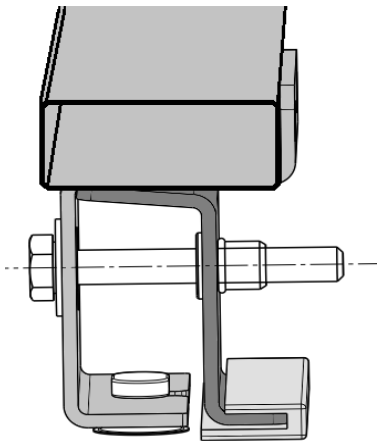
13



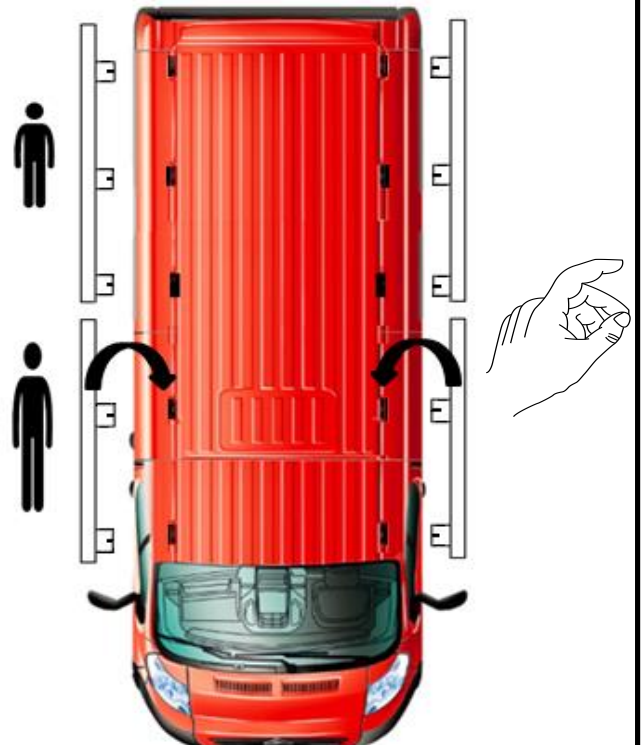
L3
~~L1~~
~~L2~~
~~L4~~

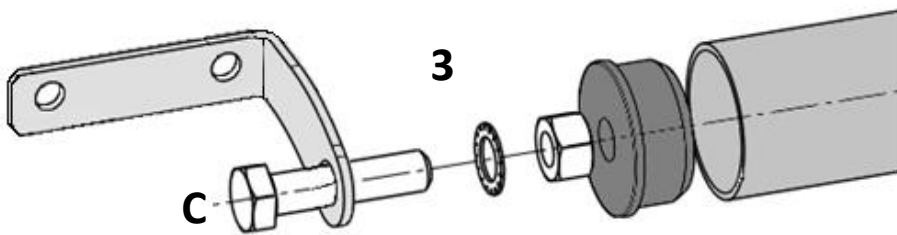
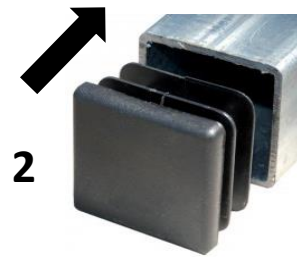
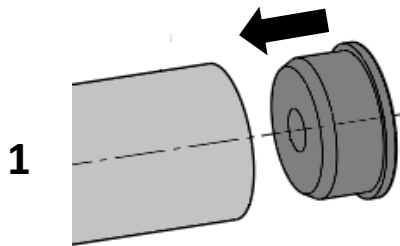
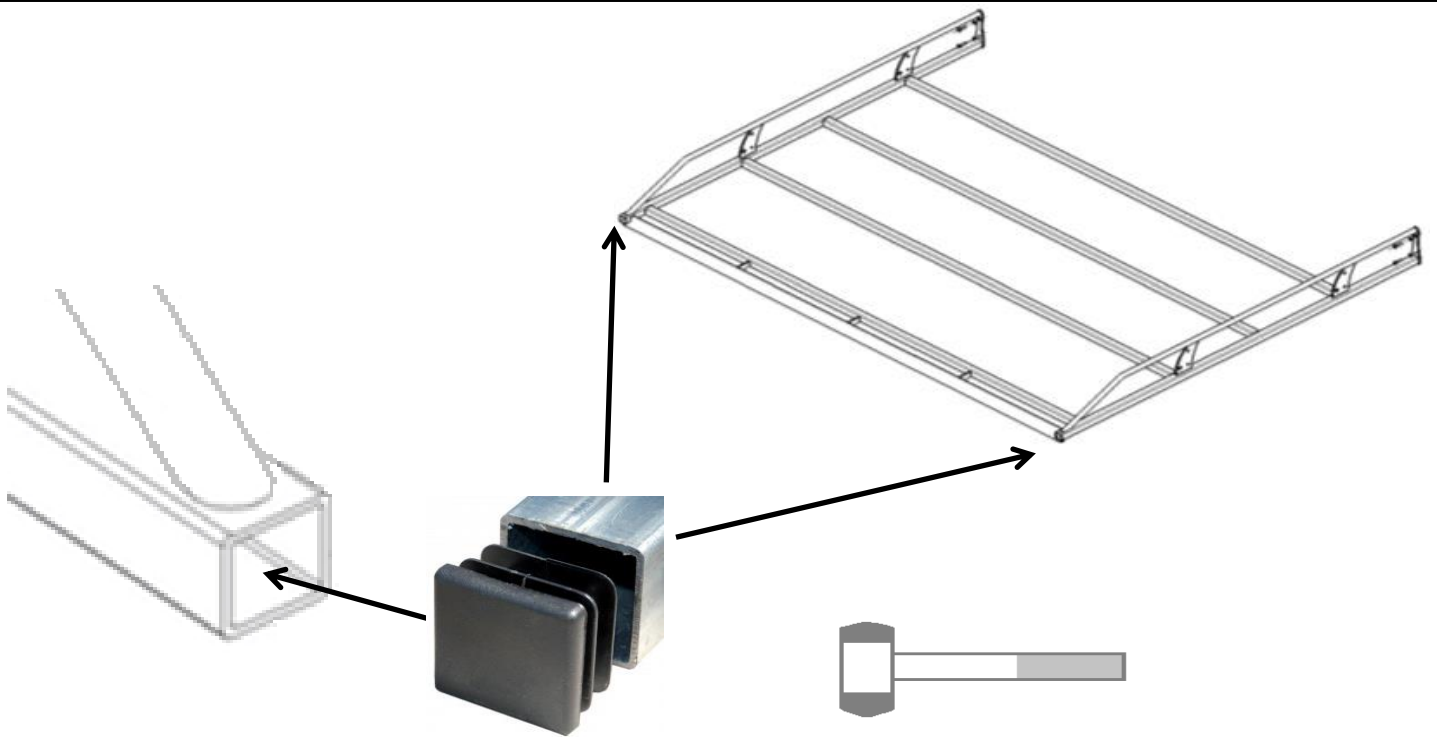


A



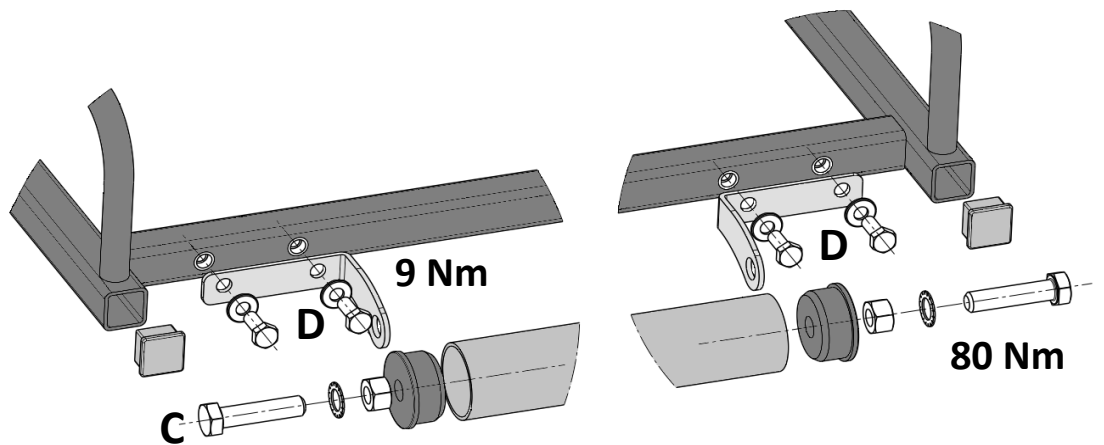
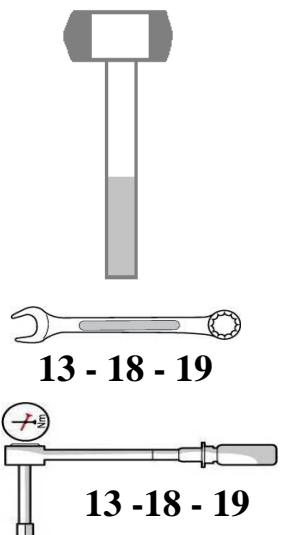
L4
~~L1~~
~~L2~~
~~L3~~

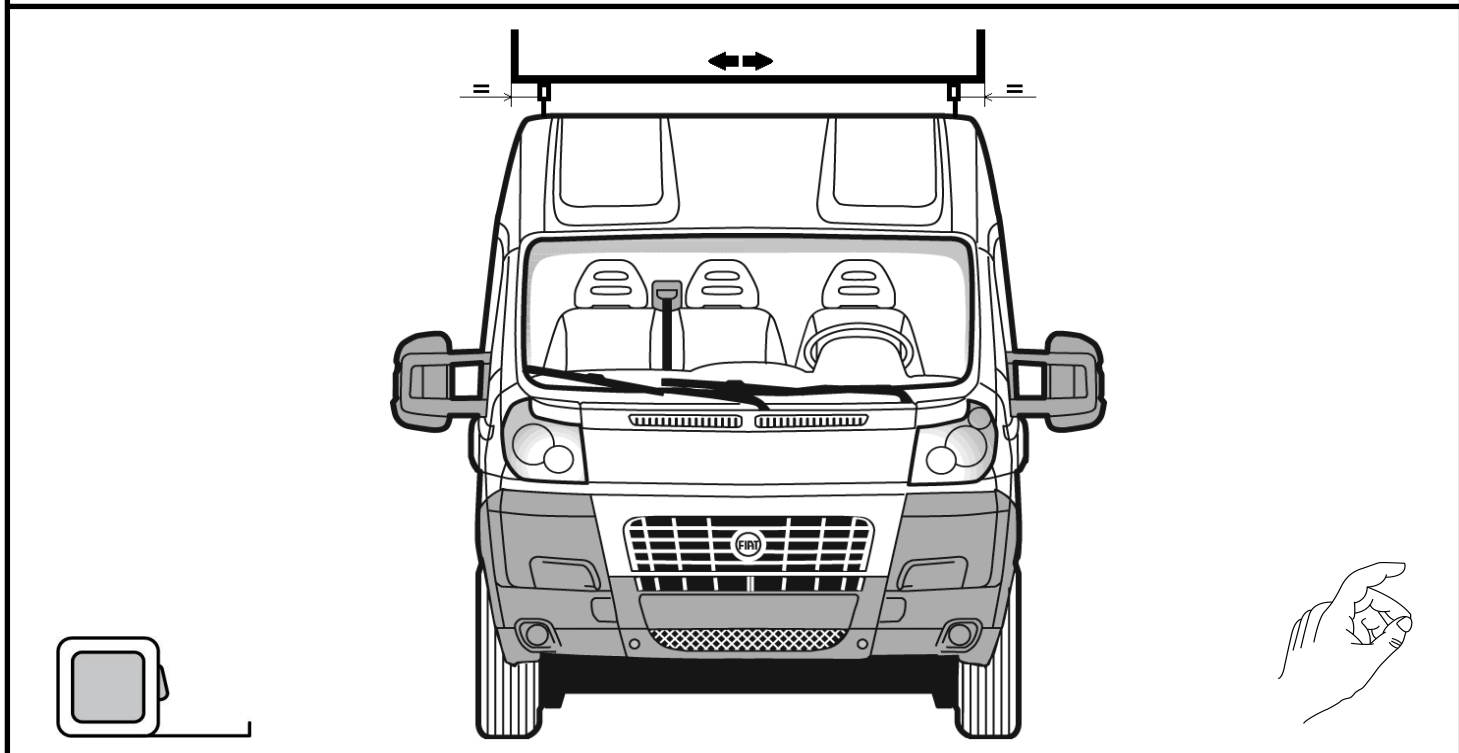
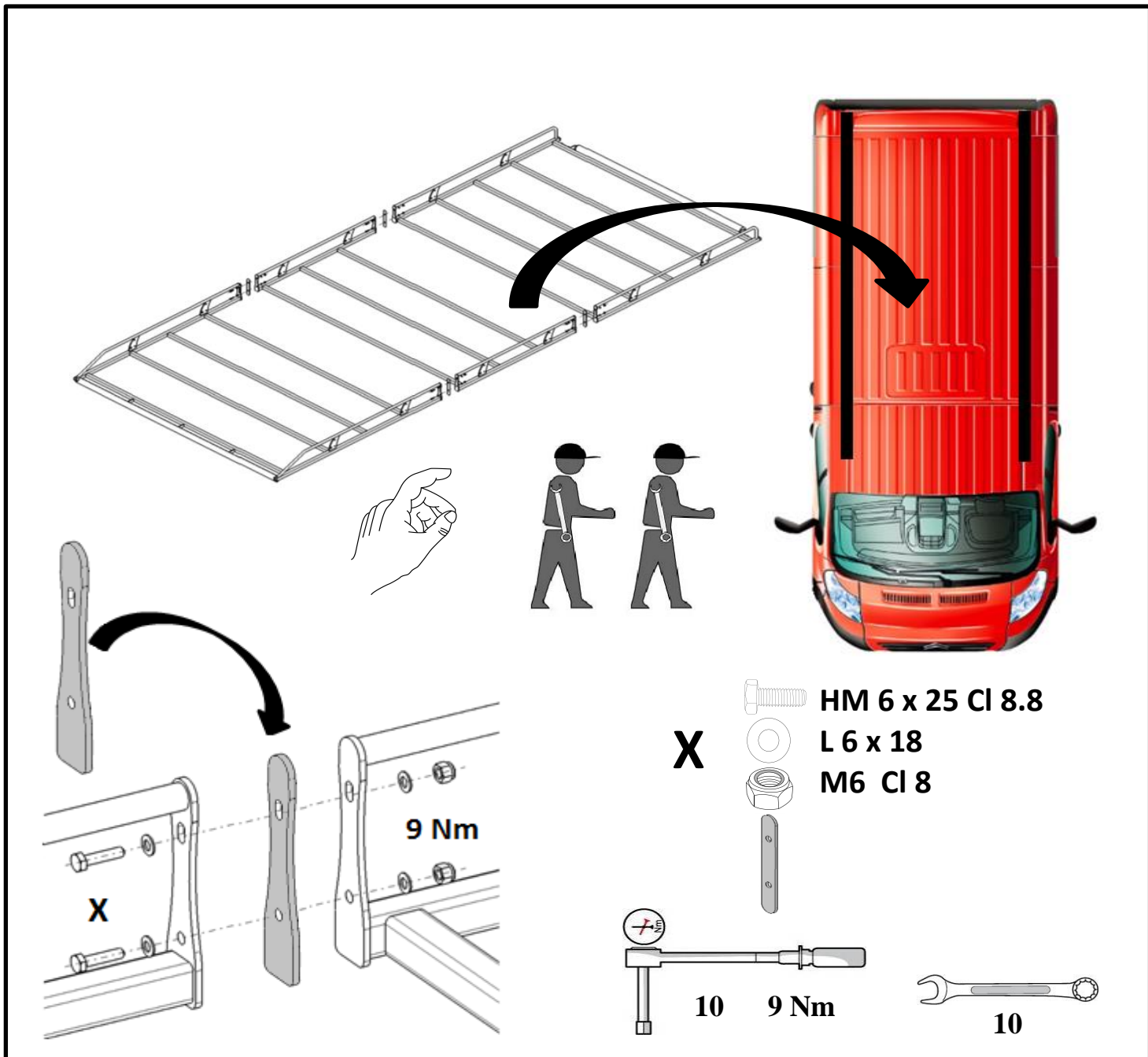




- C**
- 2 HM 12 x 50 CI 8.8
 - 2 DEC 12 x 20
 - 2 M12 CI 8
 - 45 x 40 x 10

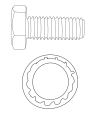
- D**
- 4 HM 8 x 20 CI 8.8
 - 4 CS 8 x 22



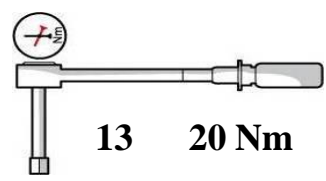
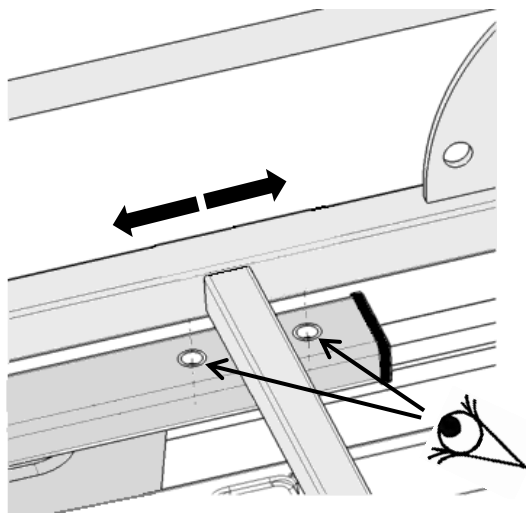
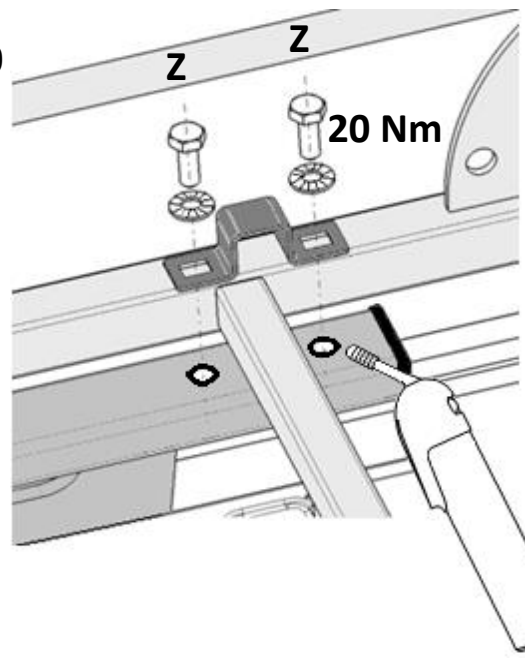




Z

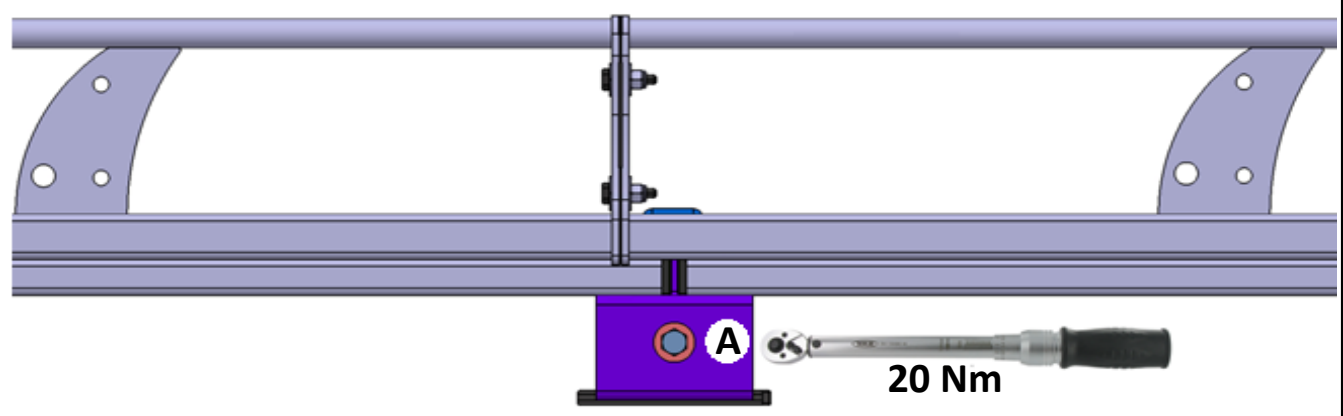


HM 8 x 20
CS 8 x 22

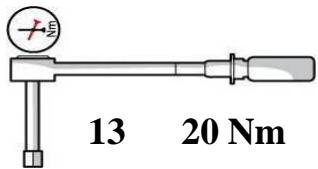
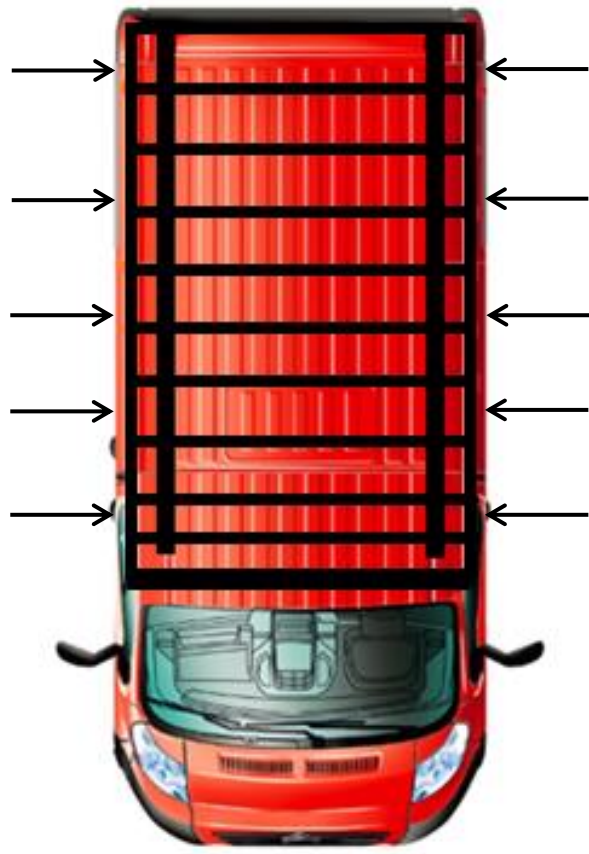


13 20 Nm

- L1 = 12
- L2 = 12
- L3 = 16
- L4 = 20



20 Nm



13 20 Nm