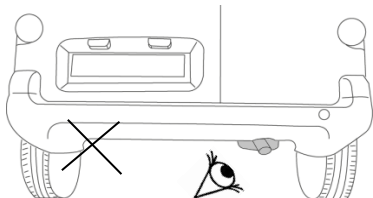
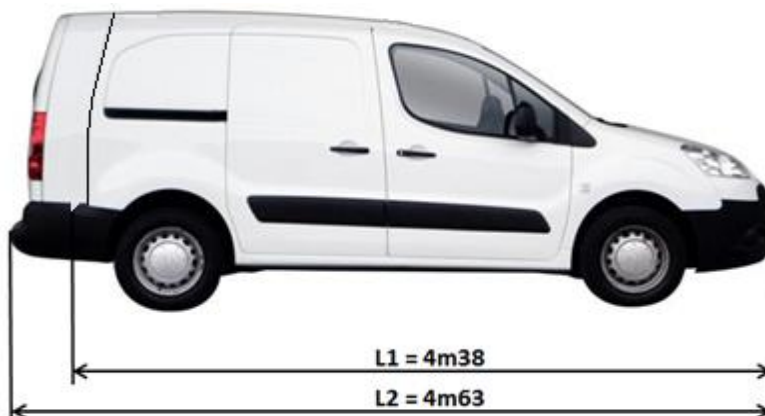


504091700001 - 504129700001



**CITROEN BERLINGO 2 - PEUGEOT PARTNER 2 07/2008 >
~~PARTNER ORIGIN - BERLINGO FIRST~~**



L1

**504091700001 = 500001701003 + 500001701004 +
504091700002**

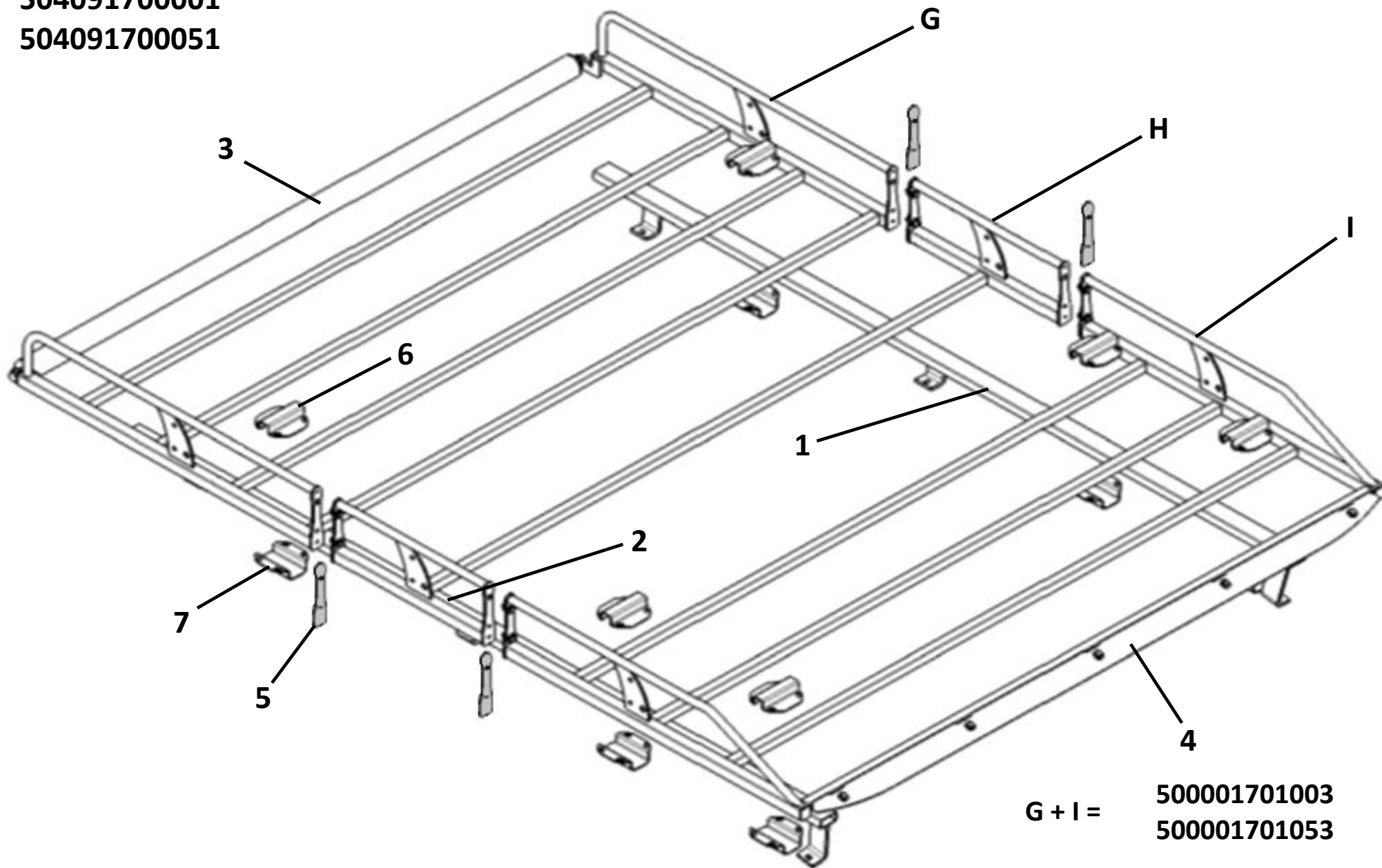
**504091700051 = 500001701053 + 500001701054 +
504091700052**

L2

**504129700001 = 500001701003 + 500001702004 +
504129700002**

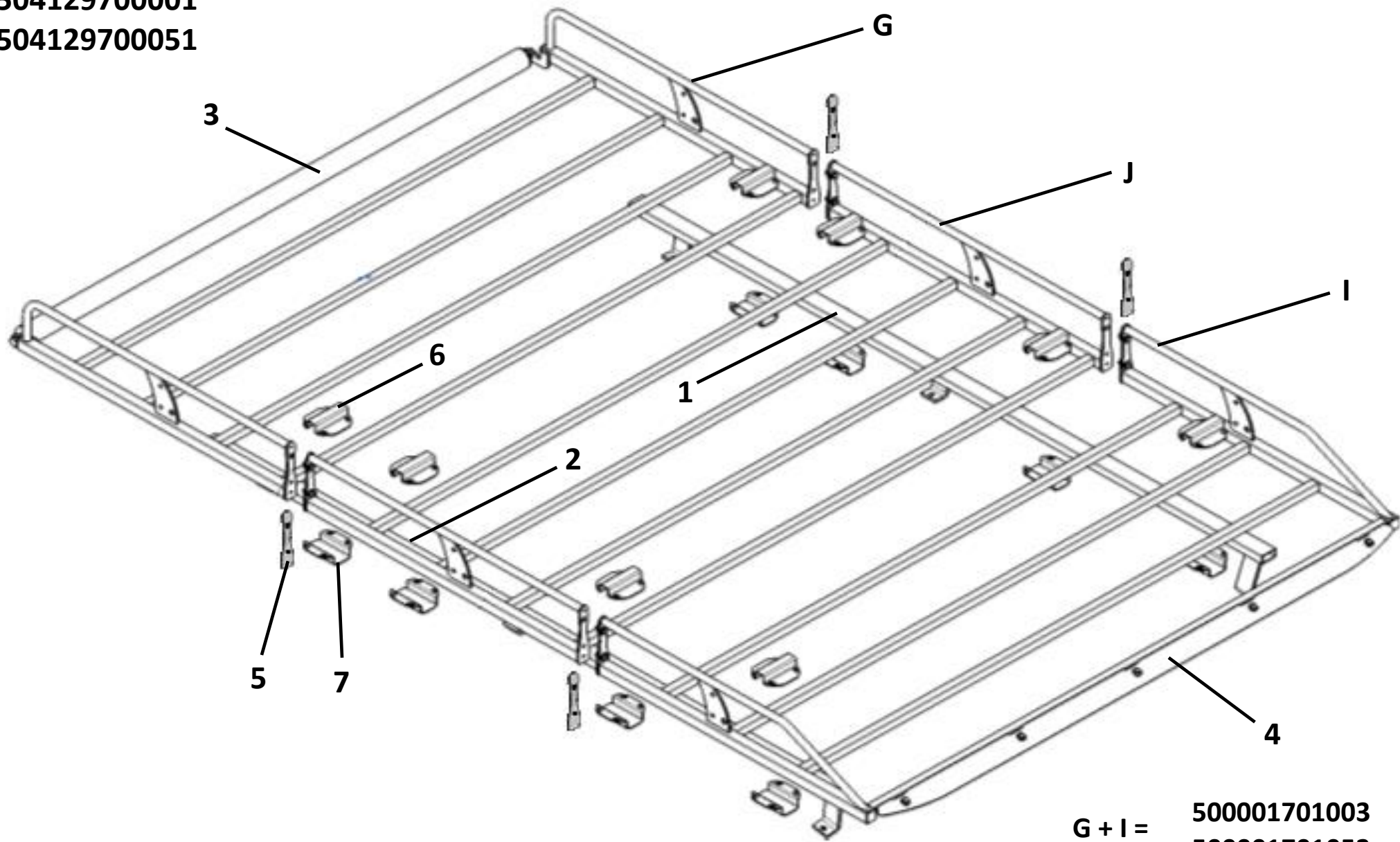
**504129700051 = 500001701053 + 500001702054 +
504129700052**

50409170001
50409170051



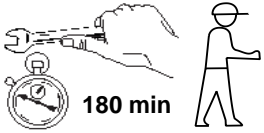
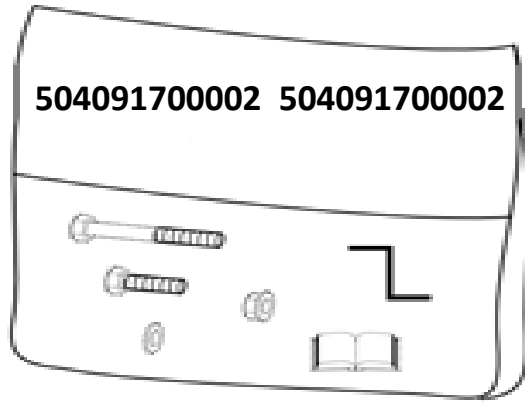
G + I = 500001701003
500001701053
H = 500001701004
500001701054

504129700001
504129700051

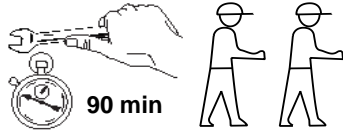


G + I = 500001701003
500001701053
J = 500001702004
500001702054

504091700002 504091700002



180 min



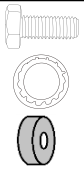
90 min



L1 = 75 Kg

L2 = 75 Kg

Y



HM 8 x 25 Cl 8.8 20 Nm

CS 8 x 22

20 x 6 x 3

Z



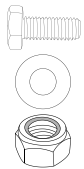
HM 6 x 20 Cl 8.8 8 Nm

L 6 x 16

M6 Cl 8

40 mm

X



HM 6 x 20 Cl 8.8 8 Nm

L 6 x 16

W



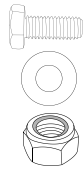
HM 12 x 50 Cl 8.8 80 Nm

CS 12

M12 Cl 8

45 x 40 x 10

V



HM 6 x 20 Cl 8.8 8 Nm

L 6 x 16

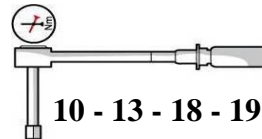
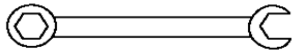
0 Km



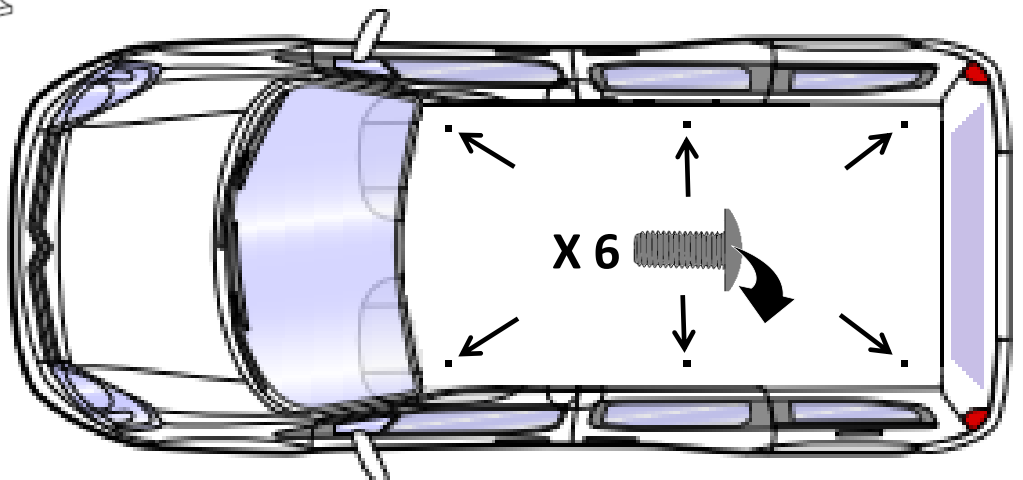
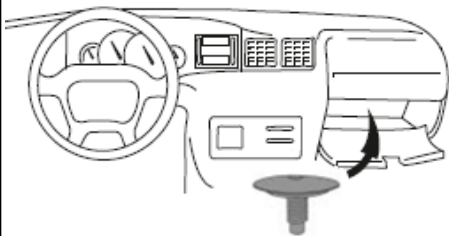
100 Km

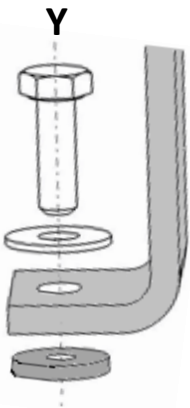
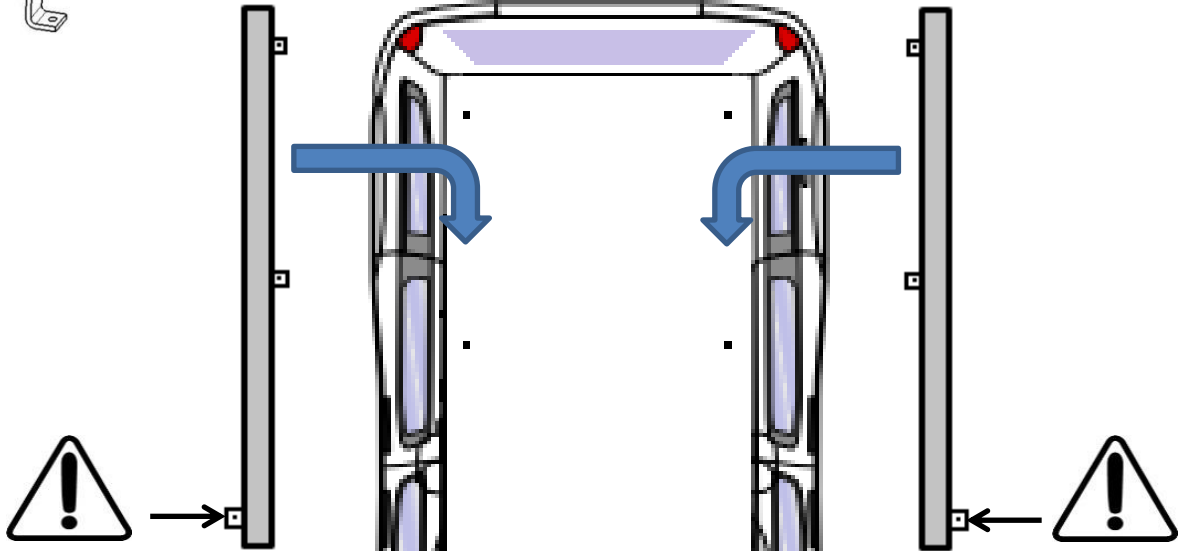
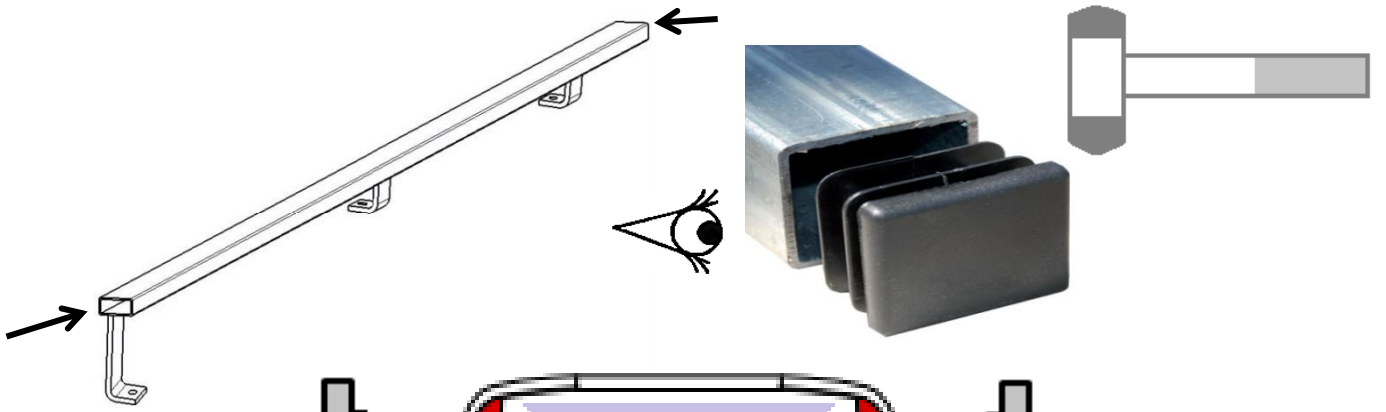


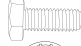


1000 Km

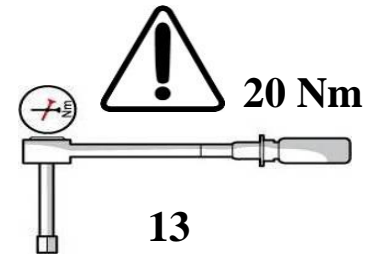


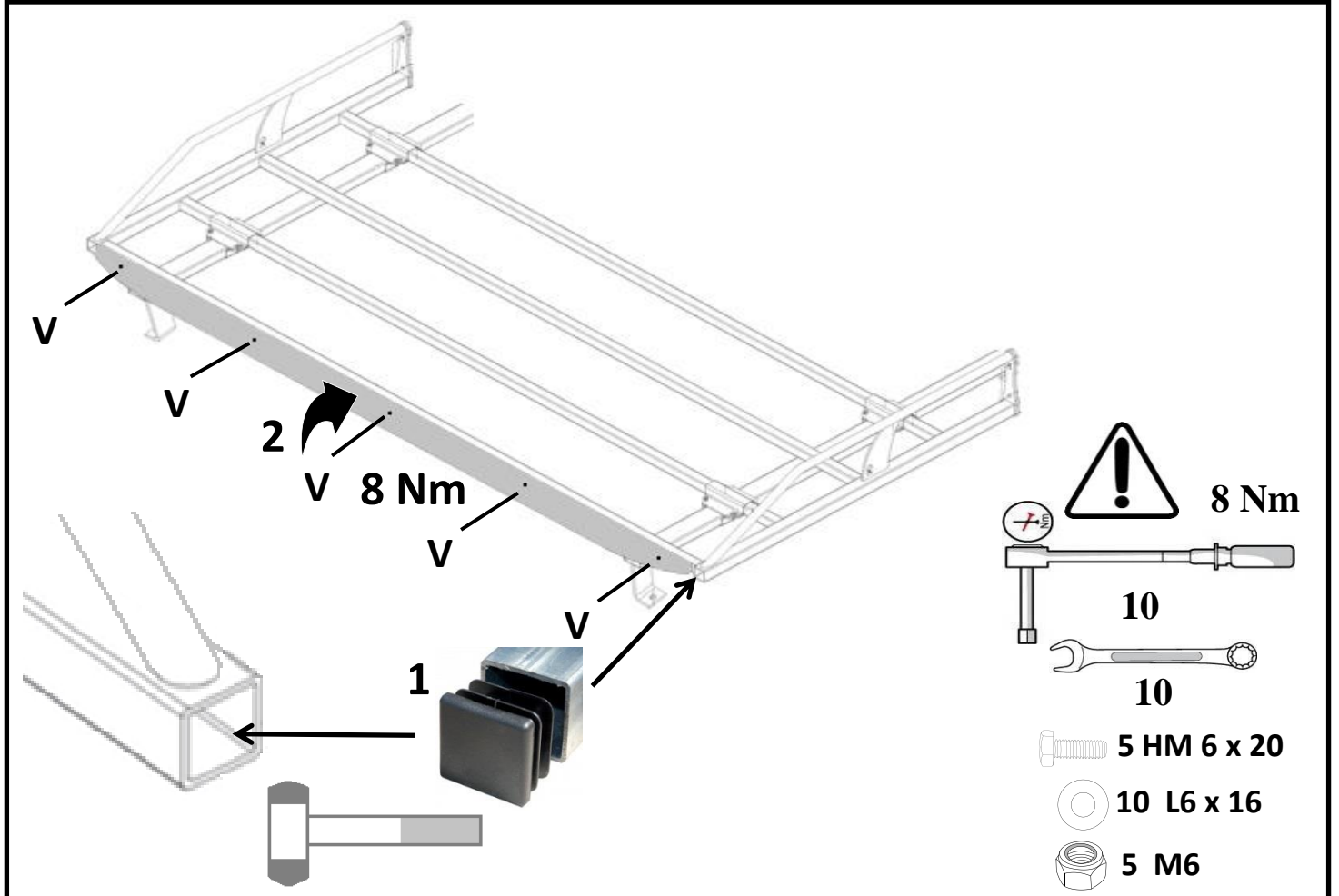
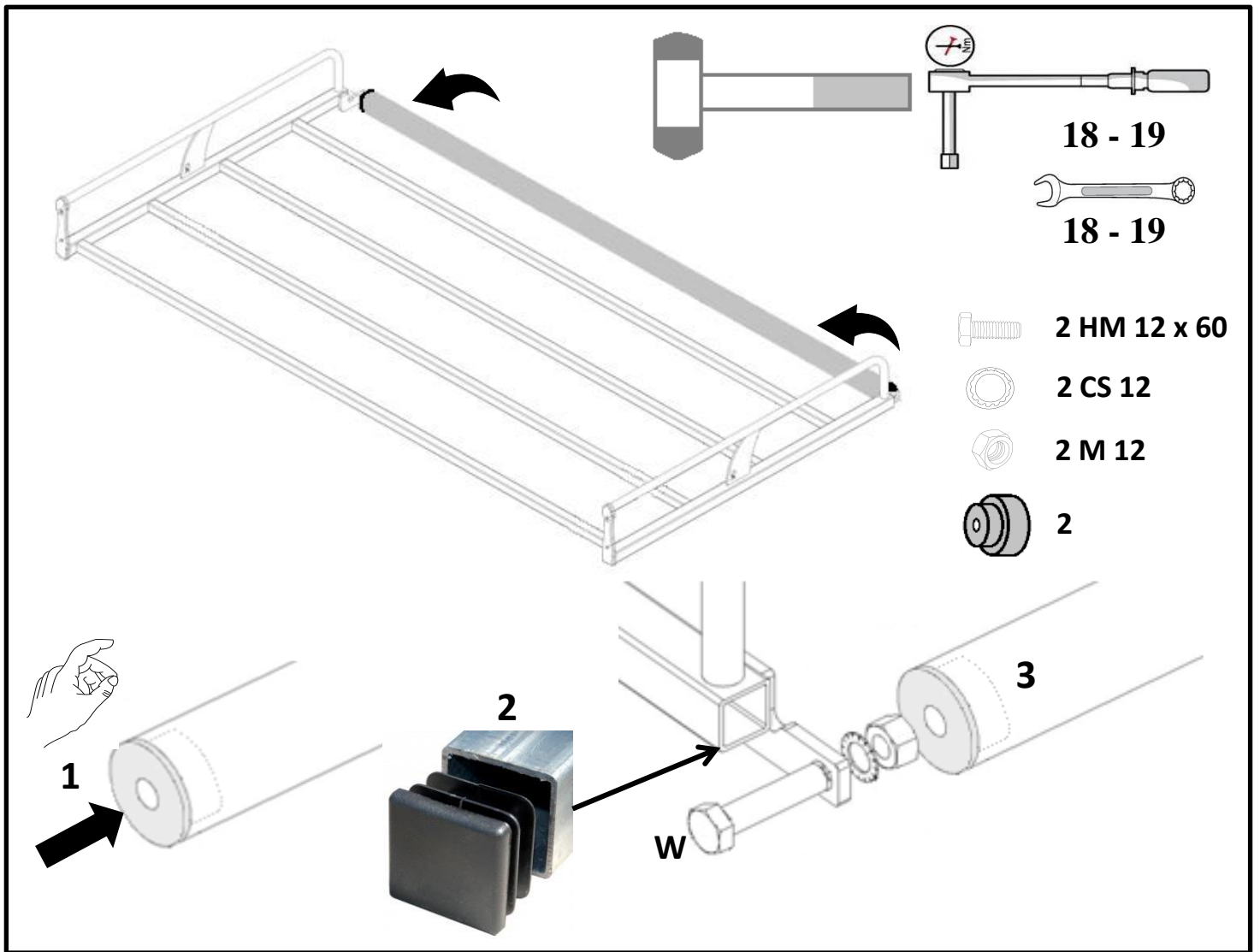
10 - 13 - 18 - 19

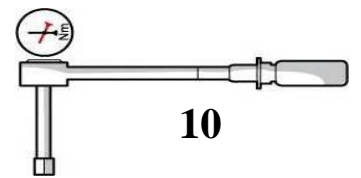
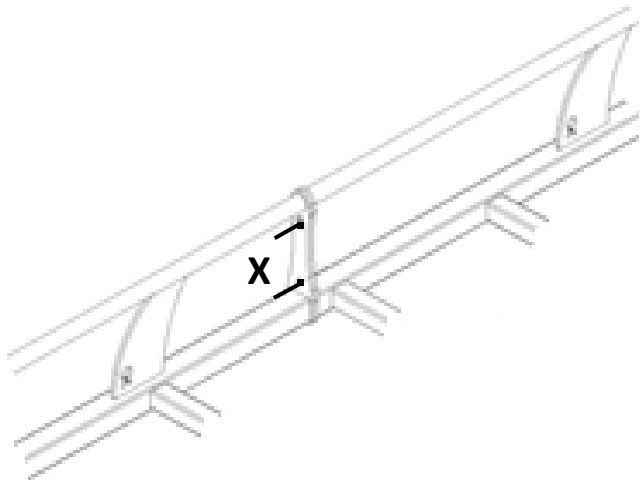
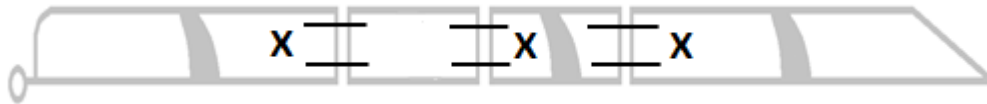
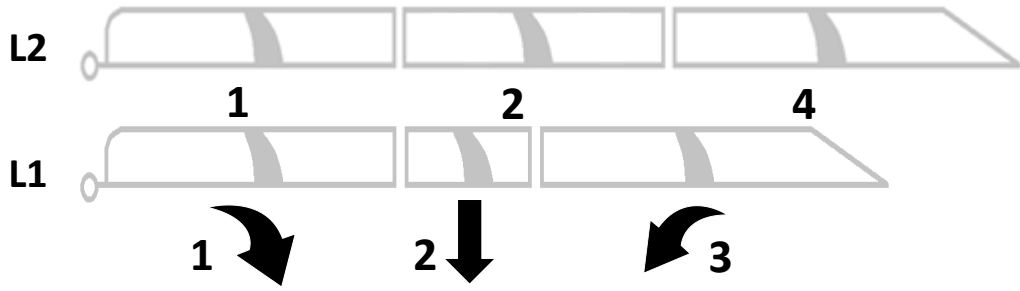




-  **HM 8 x 25 Cl 8.8**
-  **CS 8 x 22**
-  **x 6**



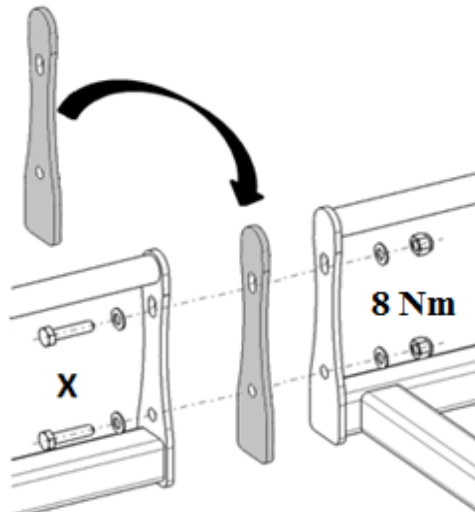




10



10



X

8 Nm

 8 HM 6 x 20

 16 L 6 x 16

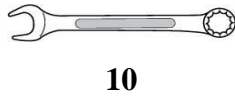
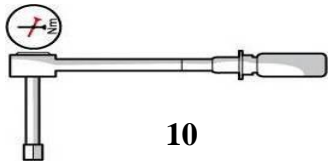
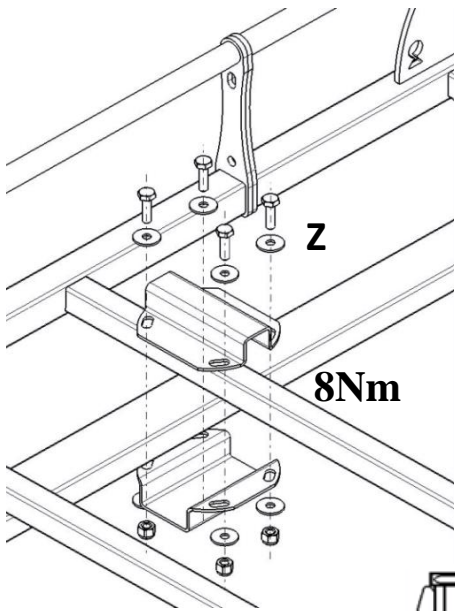
 8 M6

 4




50 mm





 32 (26) HM 6 x

 64 (52) L 6 x

 32 (26) |

8Nm

