



# VKBA 6967

Technical Bulletin - July 2009



DAIHATSU Applause, Charade, Gran Move, Terios – 1.0, 1.3, 1.5, 1.6



Replacement of VKBA 3297 by VKBA 6967



VKBA 6967 covers newer application that use torque nut and also covers VKBA 3297 existing applications that use split pin and locking washer.

## VKBA 6967

Component	Quantity
Bearing	1
Circlip	1
Split Pin	1
Nut	1

## VKBA 3297 COVERAGE

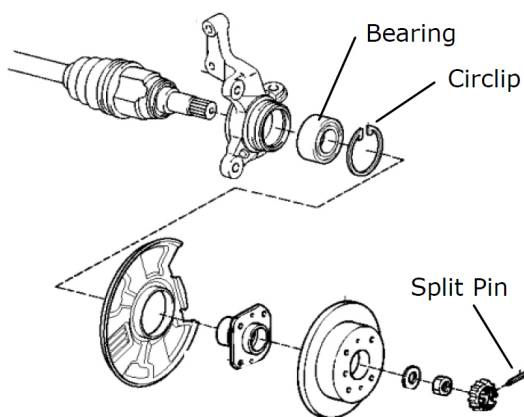
Applause	1.6
Charade	1.0, 1.3, 1.5
Gran Move	1.5, 1.6
Terios (- 2005)	1.3

## VKBA 6967 COVERAGE

Applause	1.6
Charade	1.0, 1.3, 1.5
Gran Move	1.5, 1.6
Terios (- 2005)	1.3
Terios (2005 -)	1.3, 1.5



VKBA 3297 covered existing applications using split pin



VKBA 6967 covers applications using split pin or nut

