



Mercedes-Benz Actros

Item No. 315 146, 315 147, 317 516

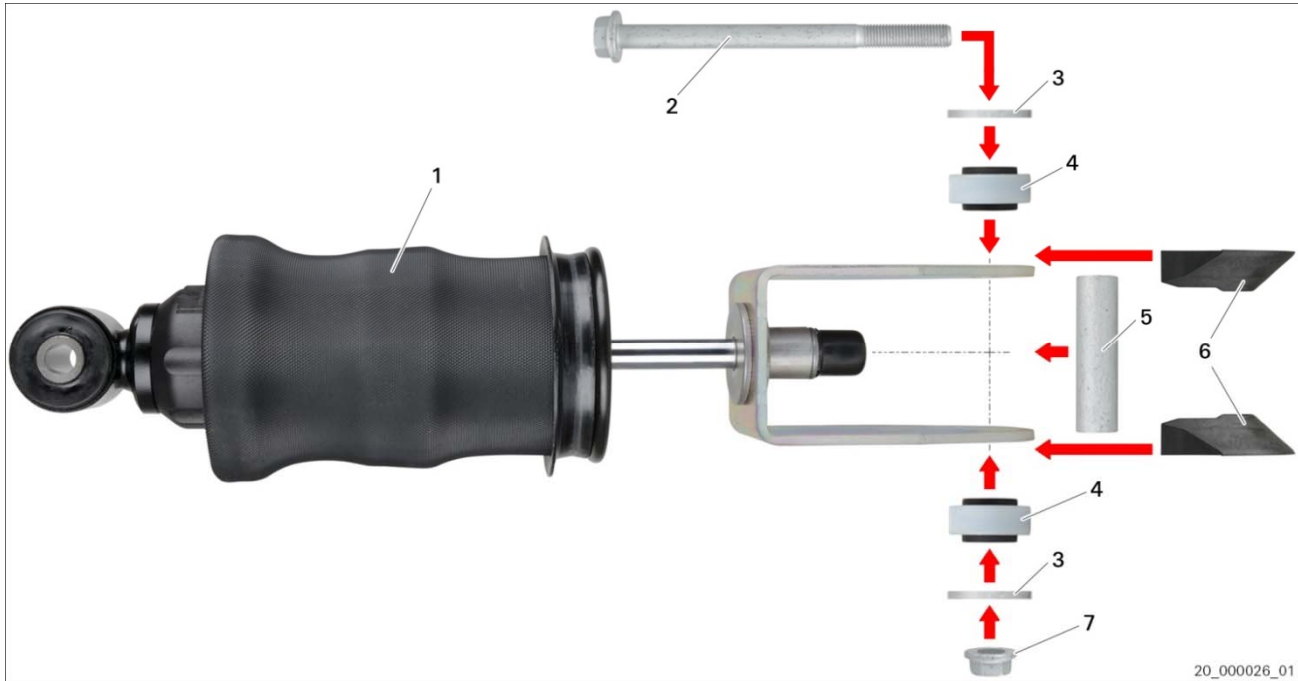


Fig. 1: Drivers' s cabin damper with air spring and fasteners (example)

- | | |
|-------------------------|-------------------|
| 1 Driver's cabin damper | 2 Hexagon screw |
| 3 Washer | 4 Bearing element |
| 5 Spacer tube | 6 Guide bearing |
| 7 Hexagon nut | |



The vehicle manufacturer has changed the upper anchorage of the driver's cabin dampers. Depending on the vehicle identification number (→ L 874 806) and removed driver's cabin dampers (table 1), additional parts are required from the vehicle manufacturer (table 2). These parts are not contained in the scope of delivery. Observe the vehicle manufacturer's specifications.

Pos. no.	Designation	Item no.	Additional parts	
			available	new
1	Driver's cabin damper	A 960 310 61 55		•
		A 960 310 62 55		•
		A 960 310 69 55		•
		A 960 310 92 55	•	
		A 960 310 95 55	•	
		A 960 310 96 55	•	
		A 961 310 12 55	•	

Table 1: Driver's cabin damper (removed)

Pos. no.	Designation	Item no.	Quantity (per driver's cabin damper)
2	Hexagon screw	A 020 990 19 01	1
3	Washer	A 013 990 32 82	2
4	Bearing element	A 960 317 24 12	2
5	Spacer tube	A 960 317 12 53	1
6	Guide bearing	A 960 317 03 26	2
7	Hexagon nut	A 002 990 74 50	1

Table 2: Additional parts



www.zf.com/serviceinformation