



KNOW-HOW IN DETAIL



STUB SHAFT REPAIR OF A PSA REAR AXLE.

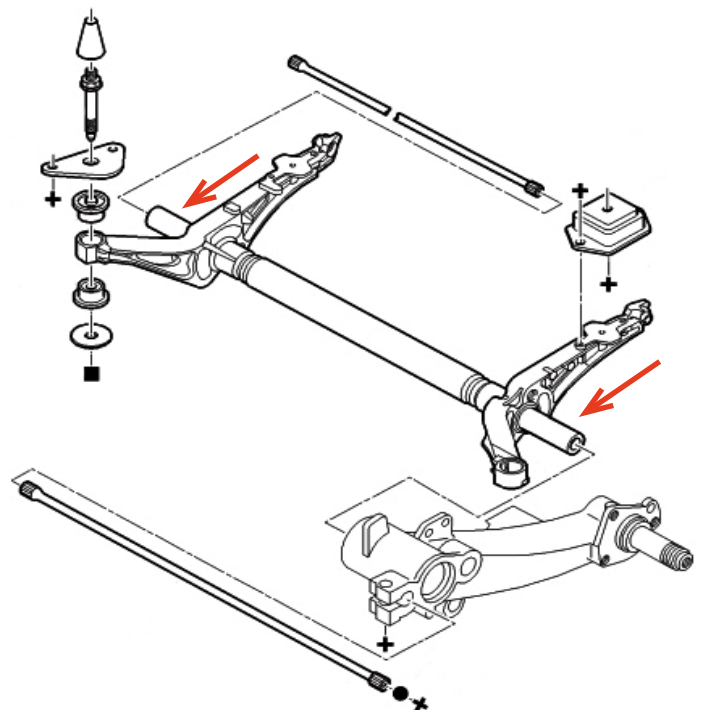
STUB SHAFT REPAIR KIT FOR
VEHICLES OF THE PSA GROUP.



As specialists for engine and chassis systems, we offer our garage partners intelligent repair solutions that contribute a lot to making daily garage work as easy, efficient and customer-friendly as possible. A prime example of this is our stub shaft repair kit for the rear axle of vehicles from the PSA Group (Peugeot/Citroën).

Repairing the stub shaft of a PSA rear axle.

Current situation: Garages are increasingly finding rear axles on various types of vehicles from the PSA Group whose axles are suffering from major wear. High mileage and the small operating range of the needle bearings cause the rolling elements in the stub shaft to ground down. Leakage due to porous shaft seals allows dirt and moisture to penetrate the component causing serious oxidation of both the stub shaft and needle bearings. This kind of damage inevitably leads to a misalignment of the rear wheels with the usual unwanted results – like loud running noise and deterioration of handling attributes. This causes other chassis components suffer the same fate. At the vehicle's main inspection, these damages are so severe that they prevent the vehicle from getting technical inspection sticker that it needs. Because individual stub shafts were not available as a separate part until now, their entire rear axle casing had to be replaced.





Article-No.	Name	Manufacturer	Models (as an example)	Note
965905S	Axle repair kit	Citroën/Peugeot	Xsara, ZX, 205, 306, 309	
965906S	Axle repair kit	Peugeot	206 CC, 206 S16	from Contr.No. 09501 88
			206	Rear axle with disc brakes
965911S	Axle repair kit	Peugeot	206 CC, 206 S16	to Contr.No. 09500 88
965913S	Axle repair kit	Peugeot	206	Rear axle with drum brakes
965912S	Axle repair kit	Citroën/Peugeot	Berlingo, Partner	965912S only in combination with previously measured, oversized stubs 965900 or 965901
965900/01				
965908S	Axle repair kit	Citroën/Peugeot	AX, Saxo, 106	with stabilizer
965909S	Axle repair kit	Citroën/Peugeot	AX, Saxo, 106	without stabilizer
1002226	Universal tool box PSA	Citroën/Peugeot		

You can find the exact vehicle allocation of the repair kits and their tools in our RUVILLE catalogues or TecDoc.

Repair that's worth it.

The cost for repairing damaged as described above is often greater than the value of the vehicle, equal to fixing a vehicle that's a total loss. So a lot of these vehicles have to be replaced by a new vehicle and when this happens the garage loses a customer.

RUVILLE has developed an innovative repair kit that offers a fair, current-value repair solution for these vehicles.

In the repair kit are all spare parts necessary for repair. Beside needle bearings and seals, you can also replace the stub shaft, which means you don't have to replace the complete rear axle.

RUVILLE also offers a special tool that allows you to repair all vehicle types with this rear axle architecture.

Benefits:

- Customer loyalty is maintained
- Fair, current-value repair
- The customers saves 40% on costs
- Easy parts acquisition
- OE quality
- Low tool costs



A FILM DETAILING REPAIR AND FURTHER INFORMATION IS AVAILABLE AT:
WWW.RUVILLE.DE/EN

Dealer stamp