



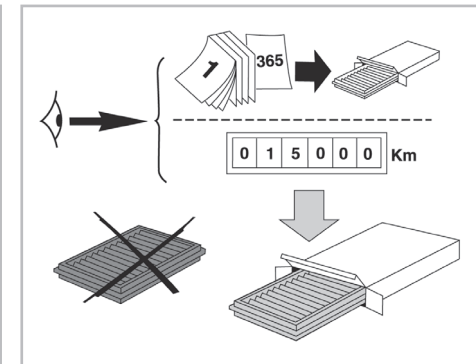
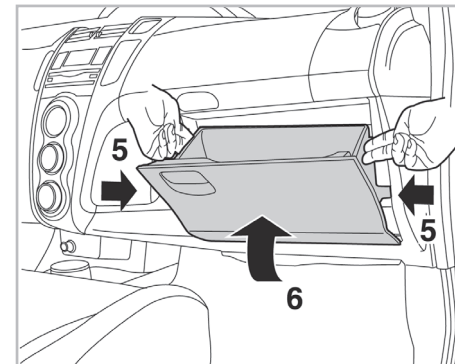
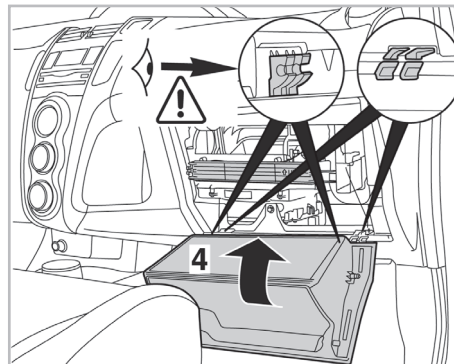
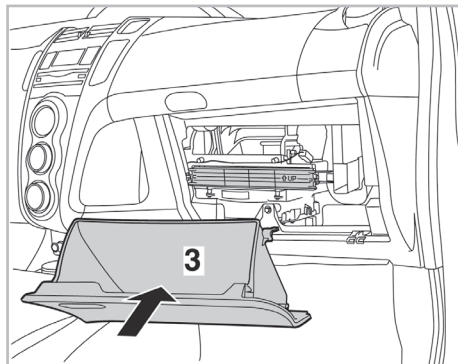
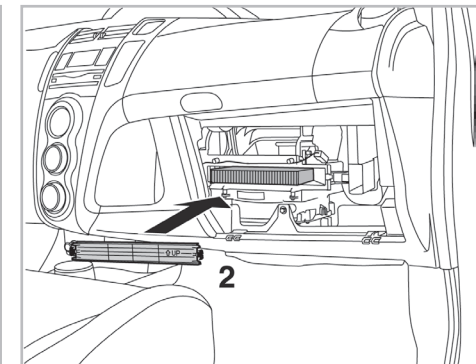
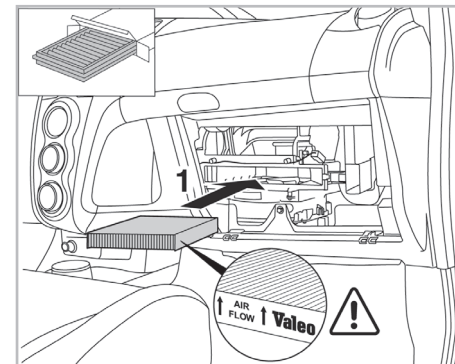
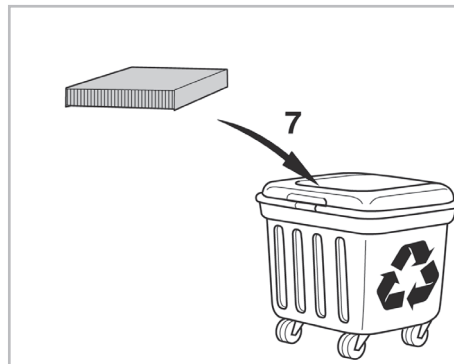
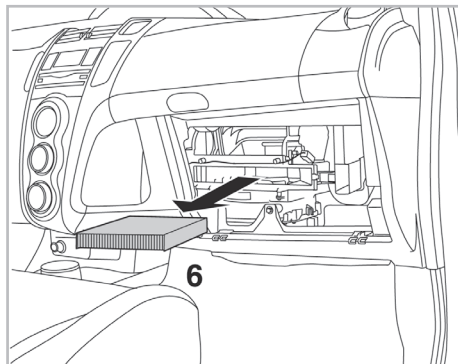
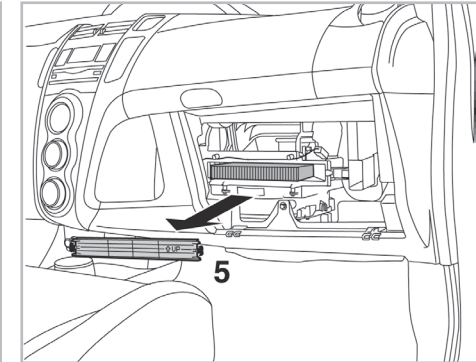
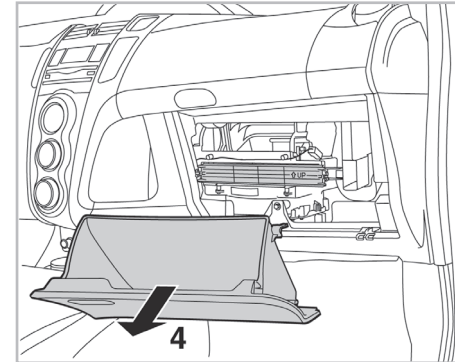
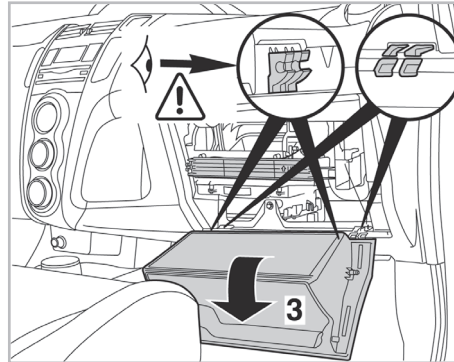
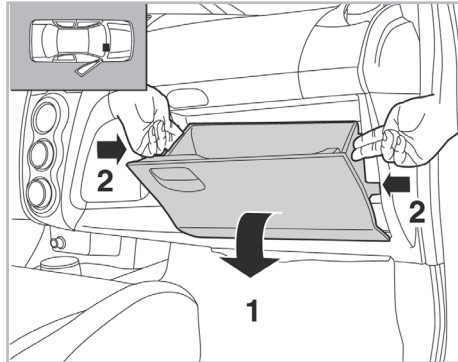
PROTECT

combined with active carbon



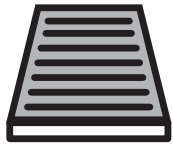
FOR TOYOTA

AURIS A/C+/- (03/06 >) / RAV 4 II A/C+ (03/06 >) / YARIS II A/C+/- (01/06 > 08/11) / YARIS III A/C+ (09/11 >)



715730

FH363



CA

WANT TO KNOW MORE?



www.valeo-techassist.com

Valeo Service - Société par Actions Simplifiée - Capital de 12 900 000 € - 70, rue Pleyel, 93285 Saint-Denis Cedex - France - B 306 408 RCS Bobigny



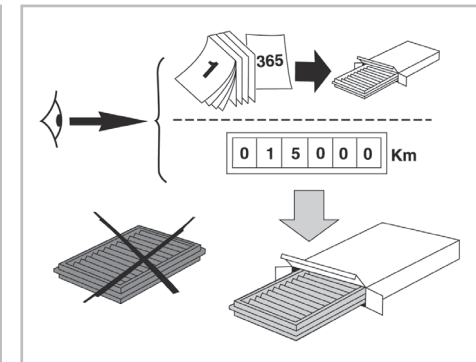
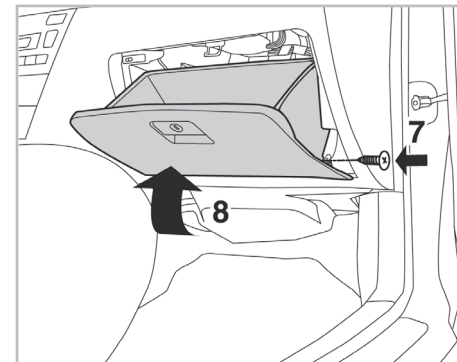
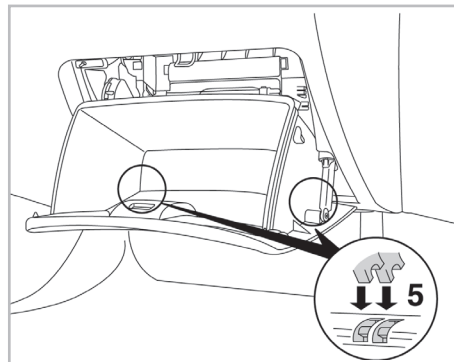
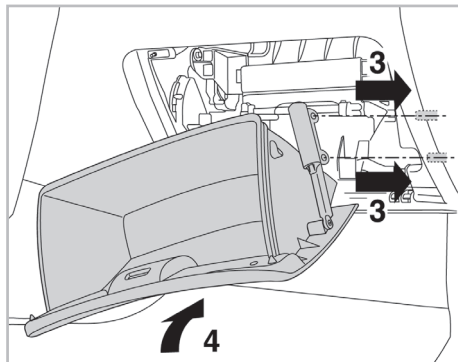
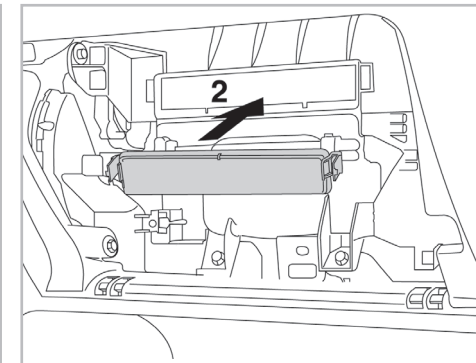
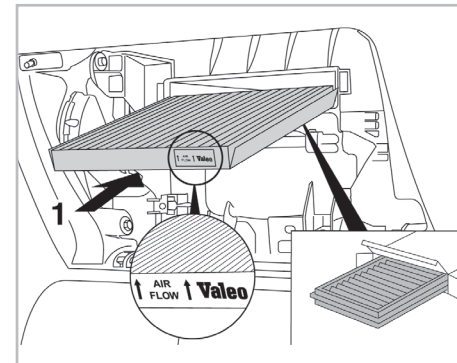
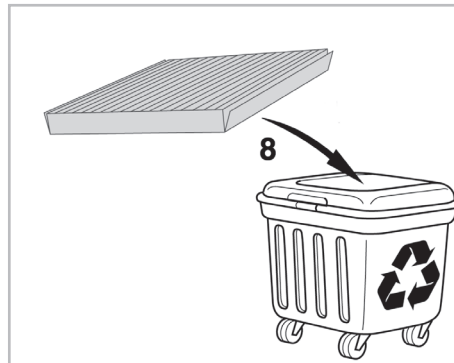
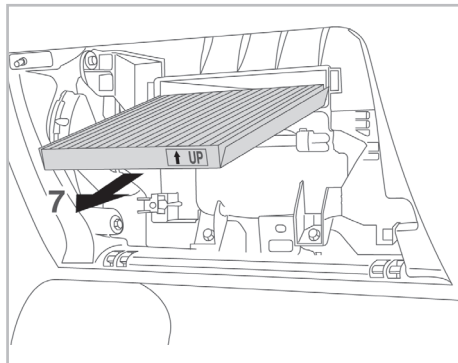
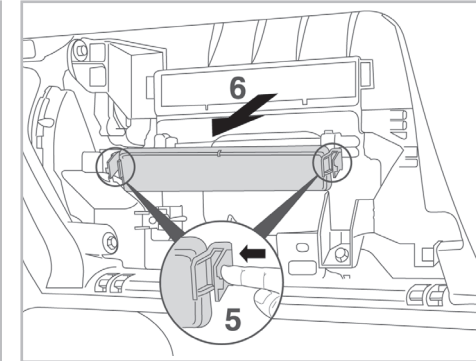
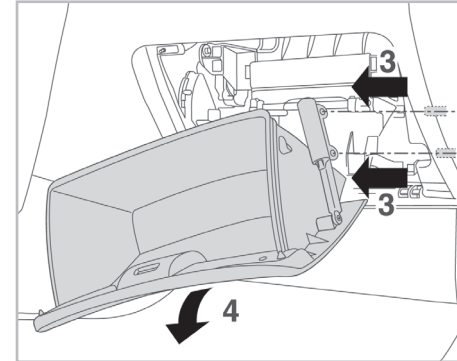
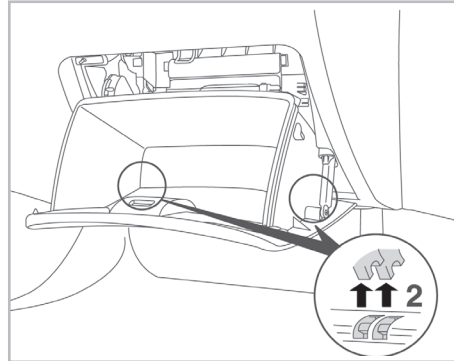
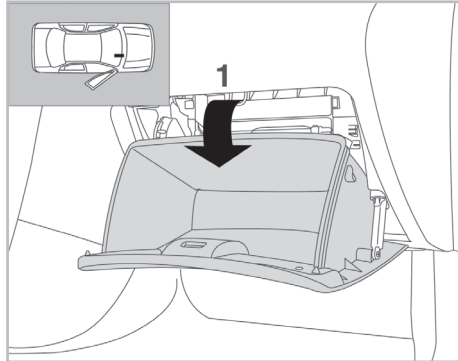
PROTECT

combined with active carbon



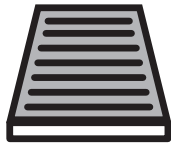
FOR  
TOYOTA

AVENSIS A/C+ (11/08 >) / CAMRY A/C+ (02/06 >) / COROLLA X A/C+/- (04/07 >) / VERSO A/C+ (04/09 >)



715730

FH363



CA

WANT TO KNOW MORE?



www.valeo-techassist.com

Valeo Service - Société par Actions Simplifiée - Capital de 12 900 000 € - 70, rue Pleyel, 93285 Saint-Denis Cedex - France - B 306 486 408 RCS Bobigny