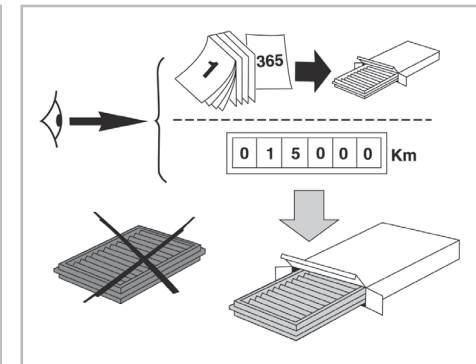
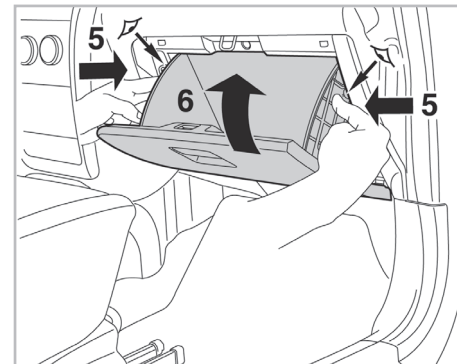
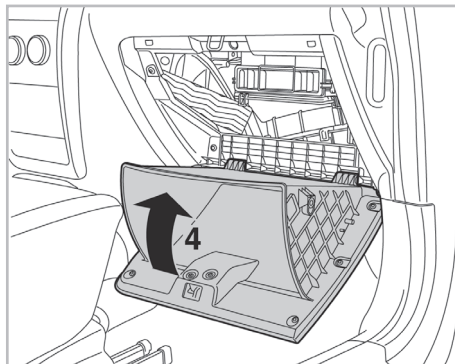
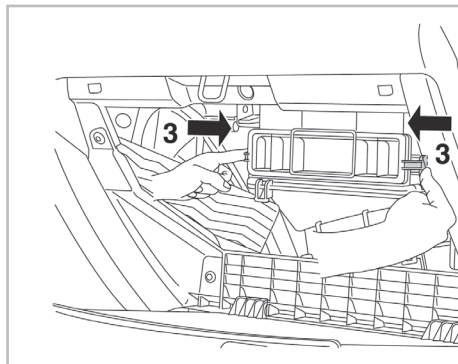
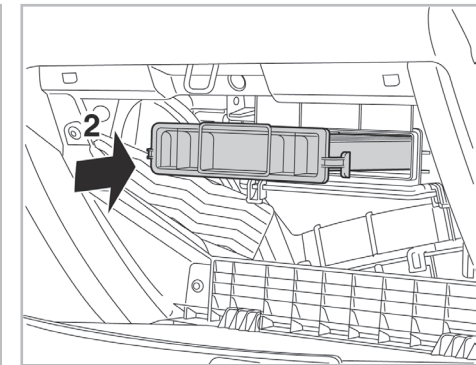
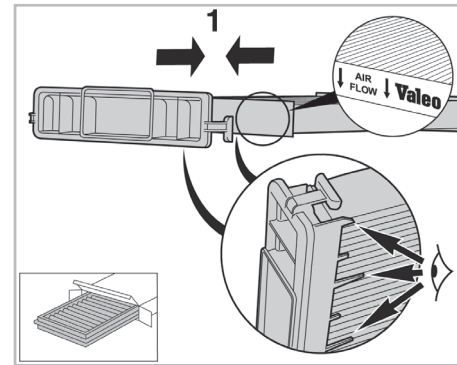
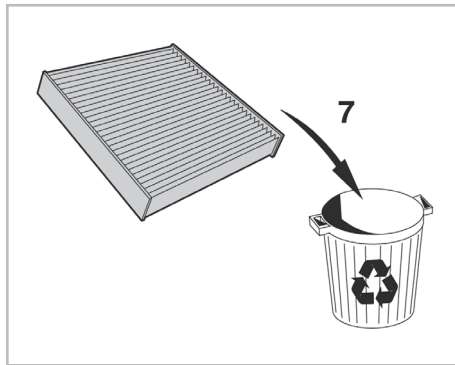
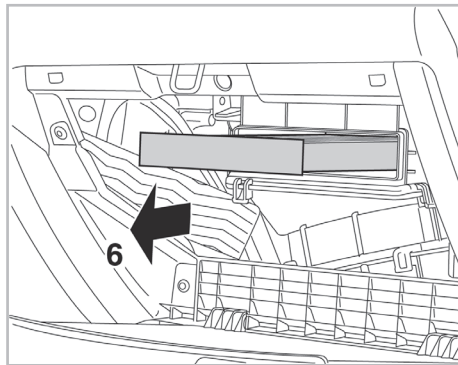
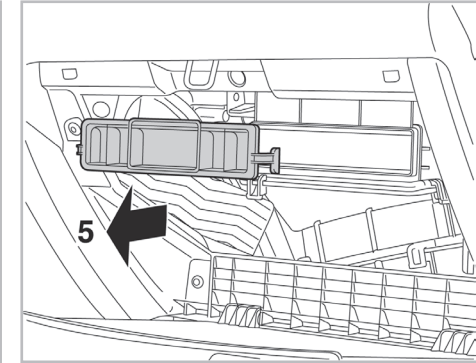
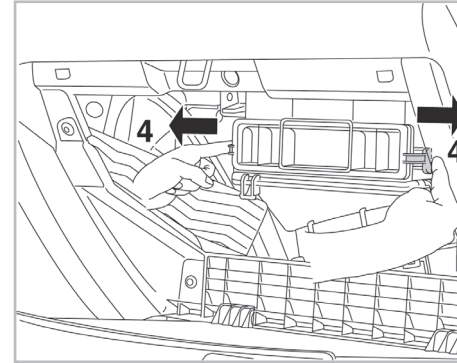
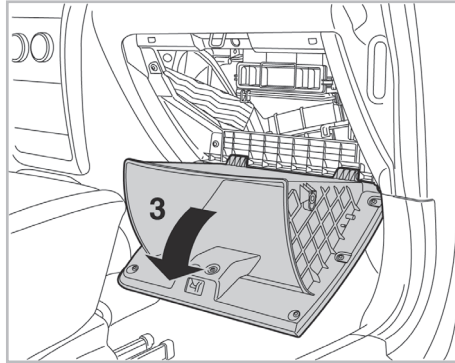
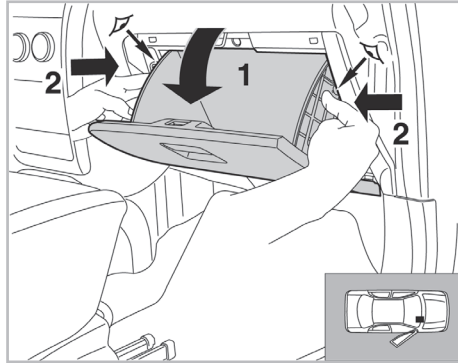


particle
filter



FOR
CHEVROLET SPARK A/C+ (03/10 >)



715707

FH443



PA

WANT TO
KNOW MORE?



www.valeo-techassist.com