



PROTECT

combined with active carbon

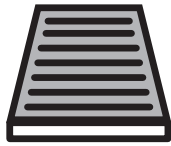


FOR MERCEDES SL (R230) A/C+ (10/01 >) / SLR (R199) A/C+ (04/04 >)

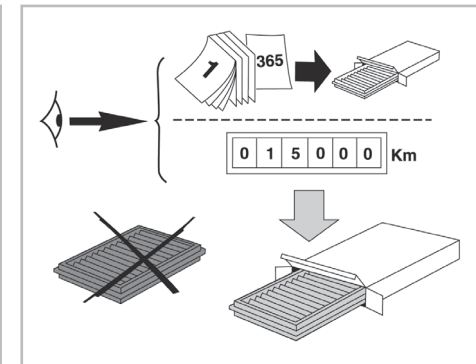
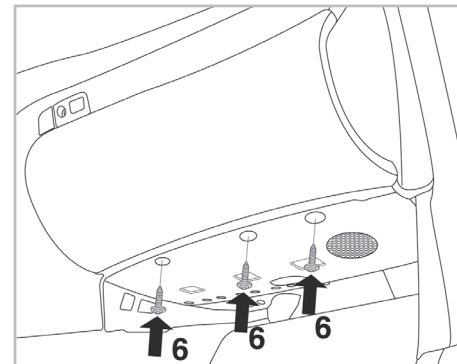
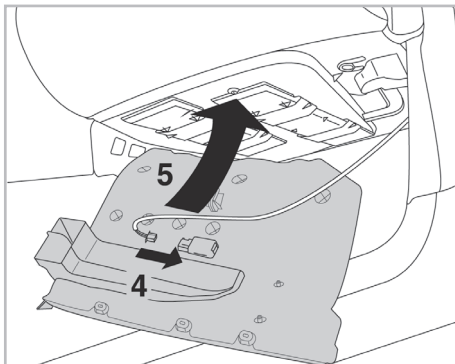
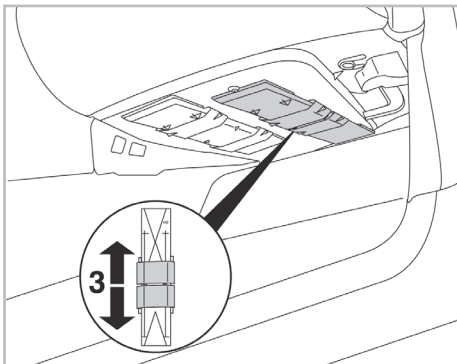
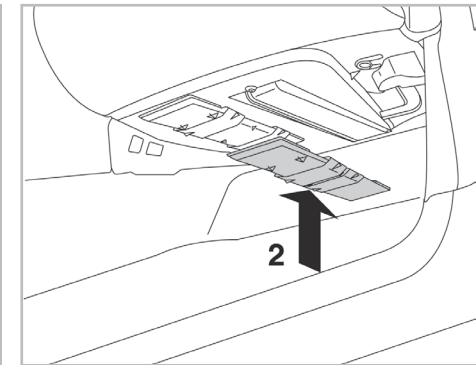
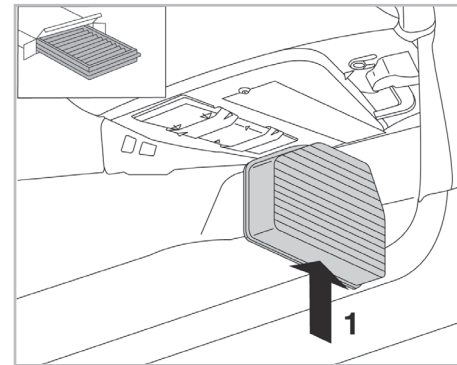
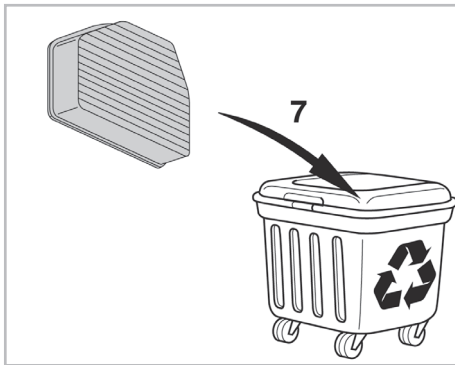
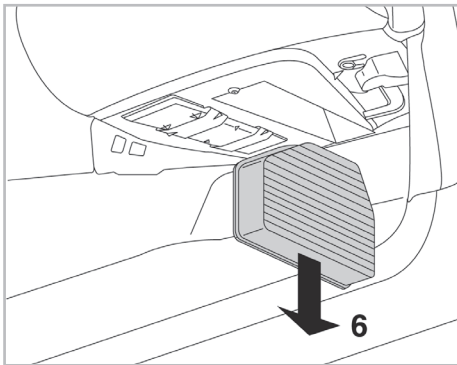
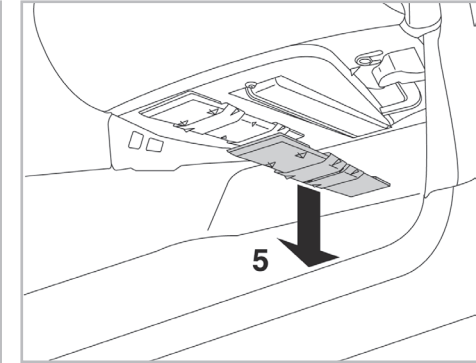
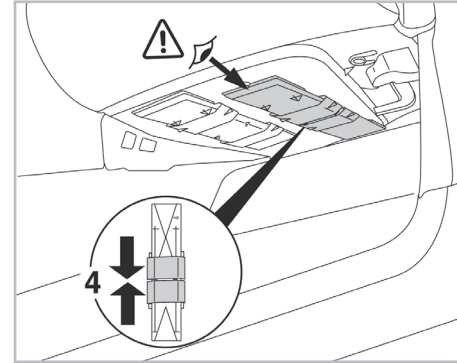
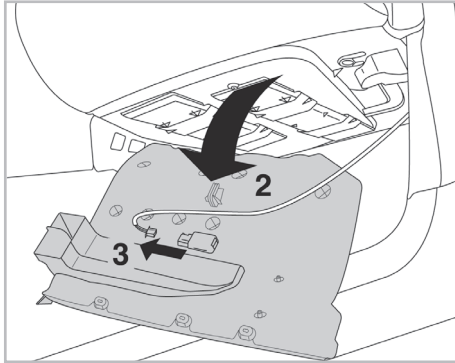
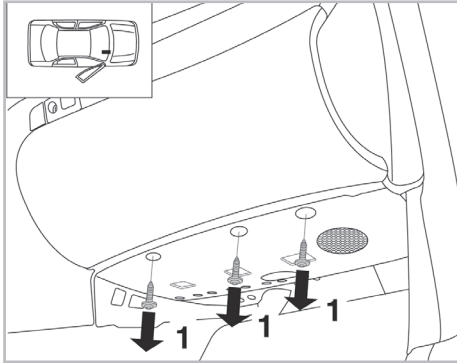


715621

FH438



CA



WANT TO KNOW MORE?



www.valeo-techassist.com

Valeo Service - Société par Actions Simplifiée - Capital de 12 900 000 € - 70, rue Pleyel, 93285 Saint-Denis Cedex - France - B 306 486 408 RCS Bobigny