

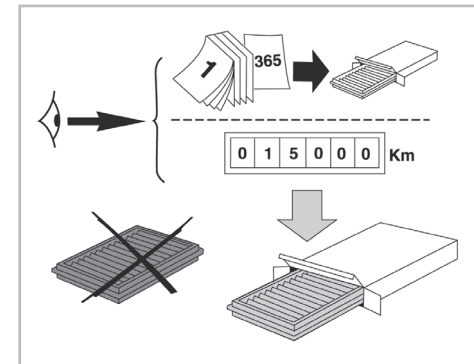
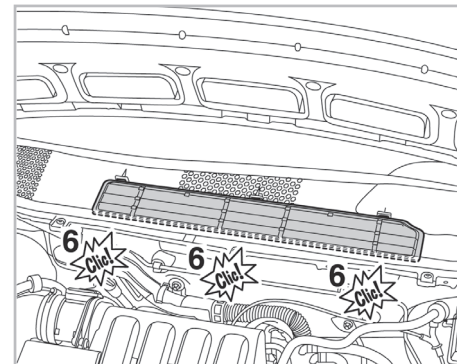
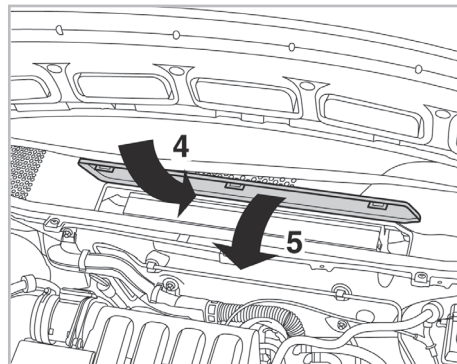
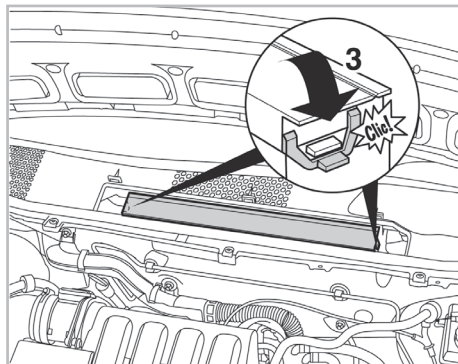
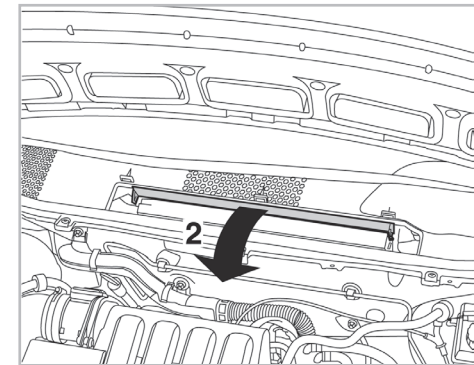
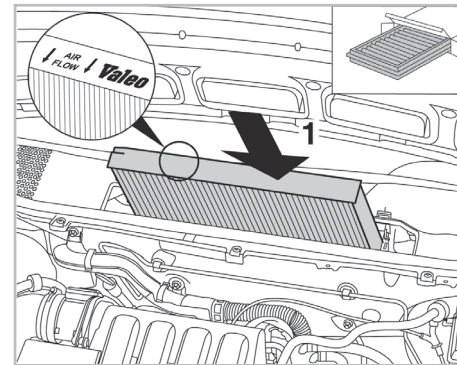
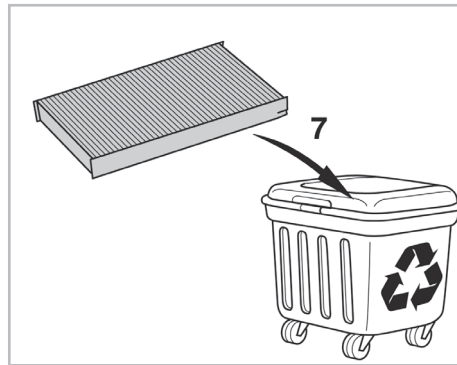
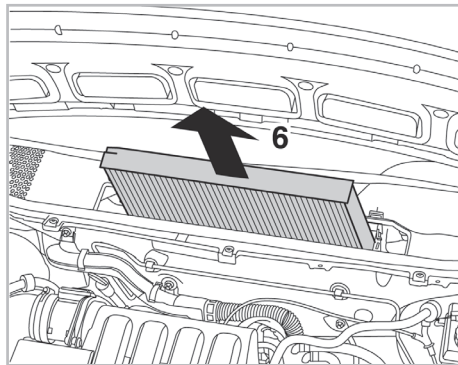
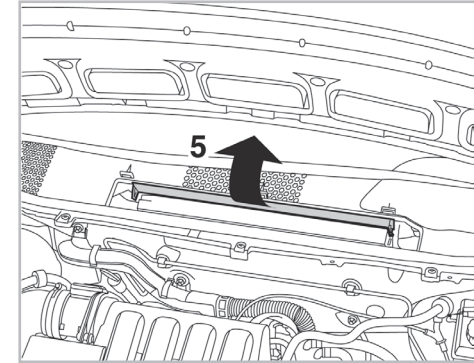
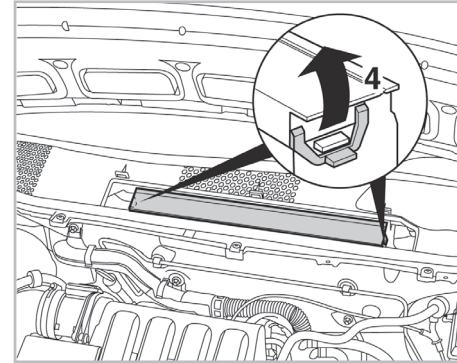
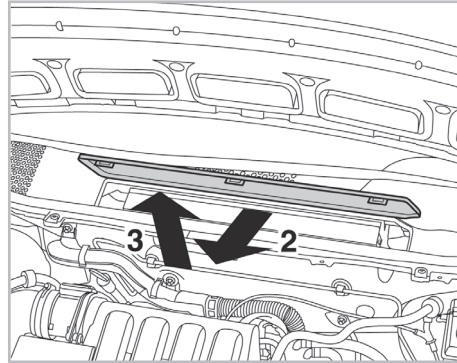
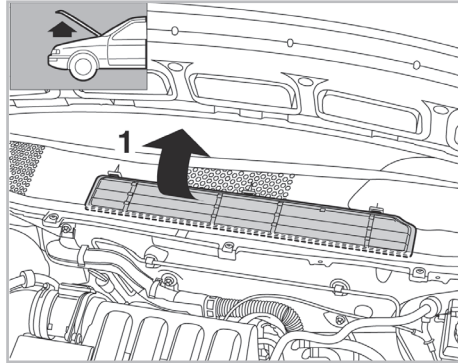


PROTECT

combined with active carbon

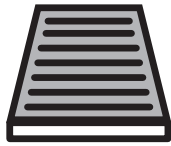


FOR MERCEDES A CLASS (169) A/C+/- (07/04 >) / B CLASS (245) A+ (03/05 >)



715507

FH278



CA

WANT TO KNOW MORE?



www.valeo-techassist.com

Valeo Service - Société par Actions Simplifiée - Capital de 12 900 000 € - 70, rue Pleyel, 93285 Saint-Denis Cedex - France - B 306 486 408 RCS Bobigny