

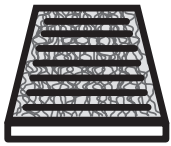


SUPREME

with anti-allergen properties



701016
FH 2016



PCA

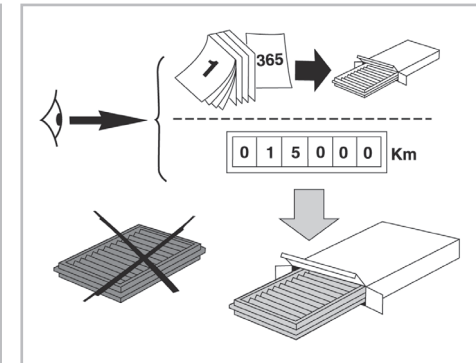
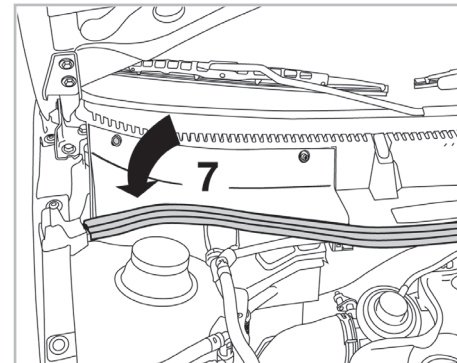
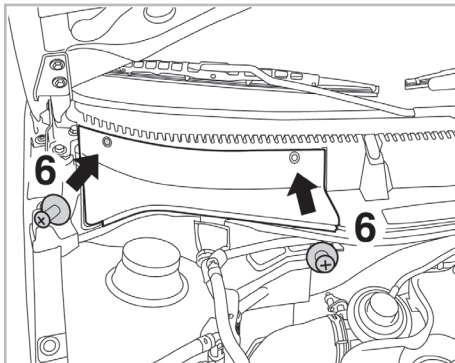
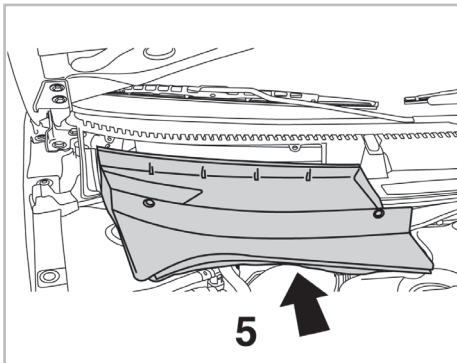
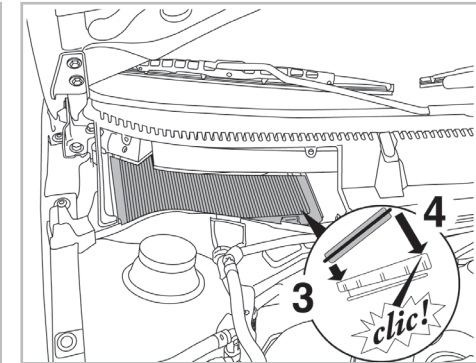
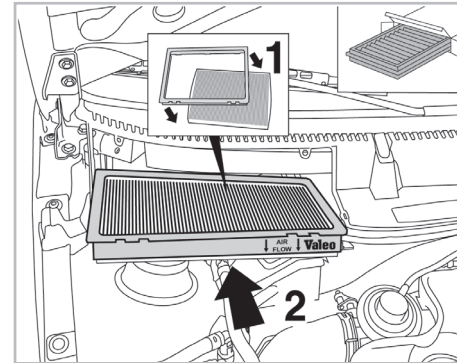
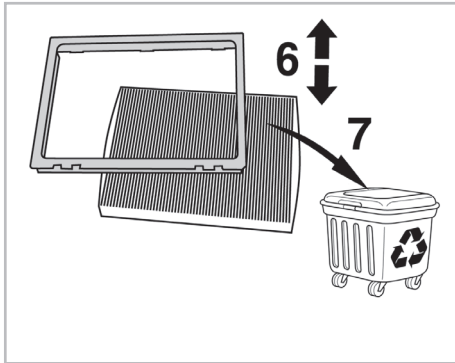
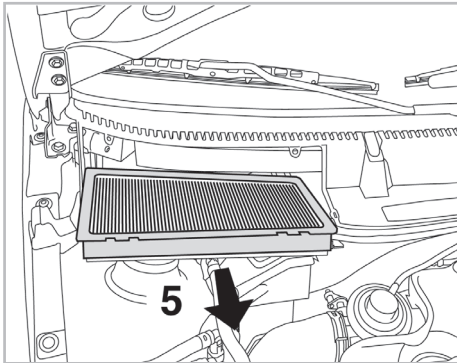
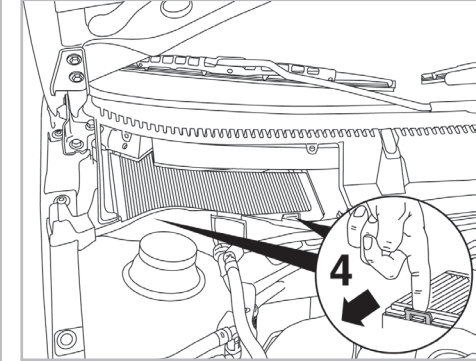
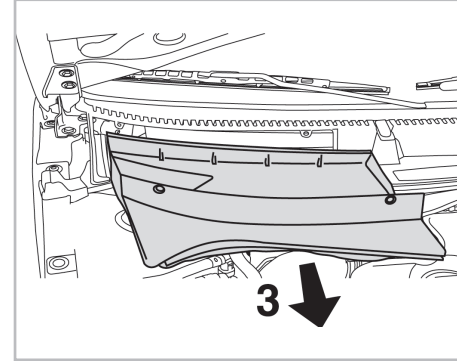
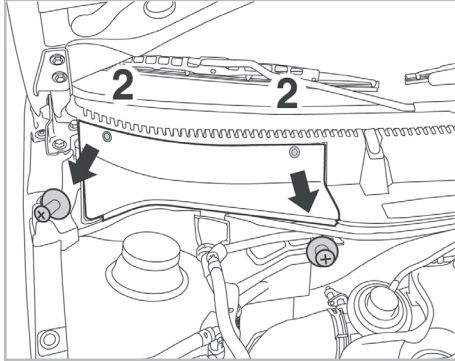
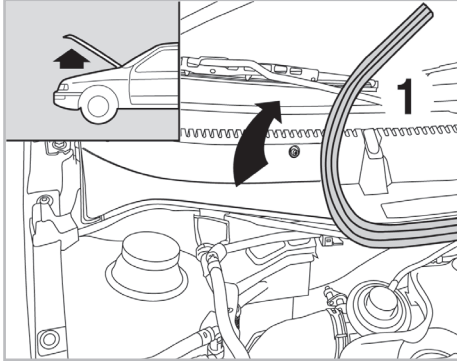
WANT TO KNOW MORE?



www.valeo-techassist.com

FOR
SEAT

AROSA A/C+/- (09/00 >) / LEON A/C+/- (08/99 > 09/05)

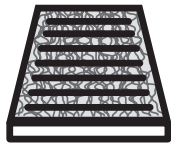


Valeo Service - Société par Actions Simplifiée - Capital de 12 900 000 € - 70, rue Pleyel, 93285 Saint-Denis Cedex - France - B 306 486 408 RCS Bobigny

with anti-allergen
properties



701016
FH 2016



PCA

WANT TO
KNOW MORE?



www.valeo-techassist.com

FOR

VOLKSWAGEN GOLF IV A/C+/- (10/97 > 10/03) / BORA A/C+/- (09/98 > 07/05) / POLO A/C+/- (10/99 > 09/01)

