



COMFORT

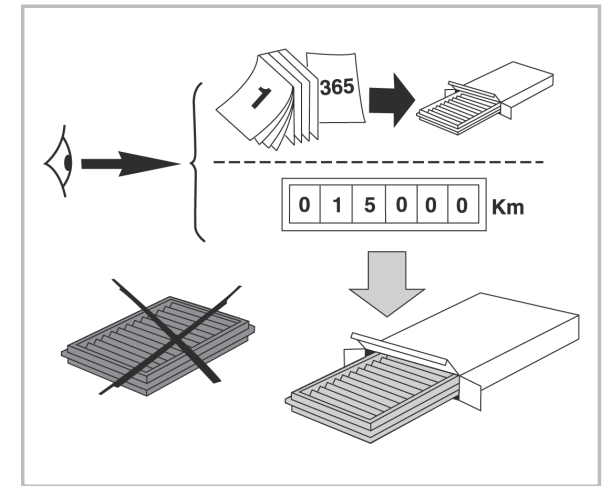
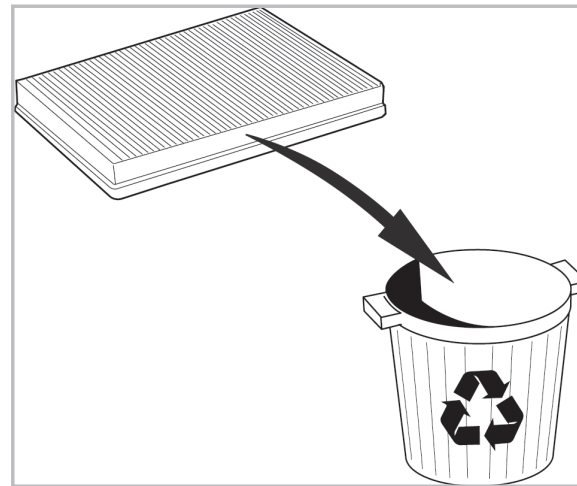
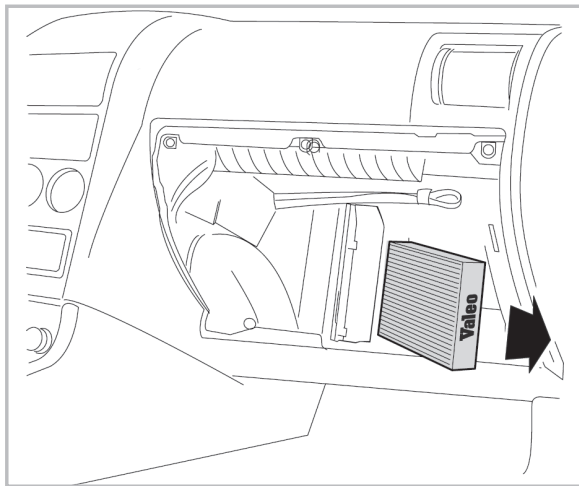
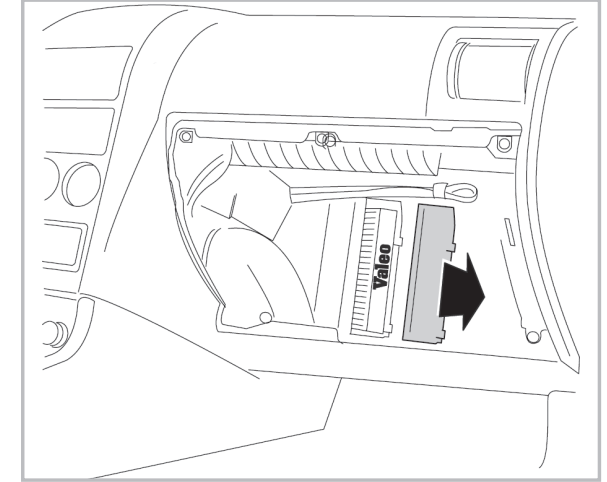
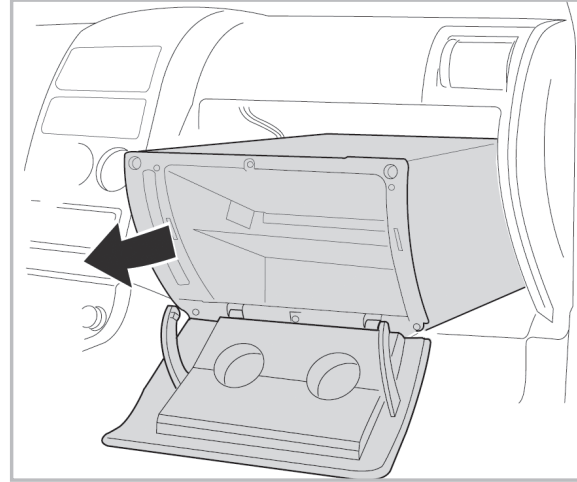
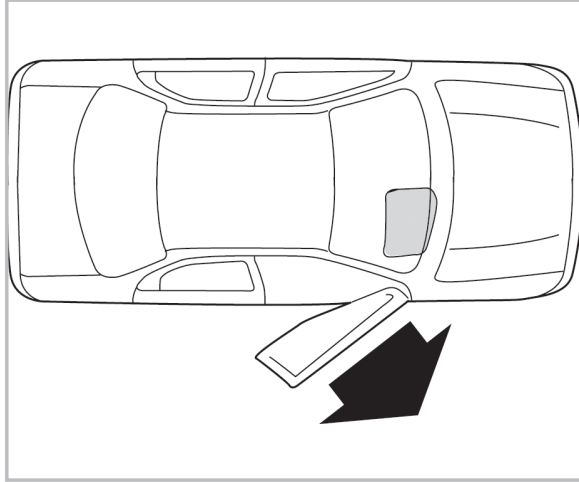
particle filter



FOR
CHEVROLET NUBIRA A/C+ (01/05 >)
DAEWOO NUBIRA A/C+ (11/96 > 07/03)



698860
FH234



WANT TO KNOW MORE?



www.valeo-techassist.com