



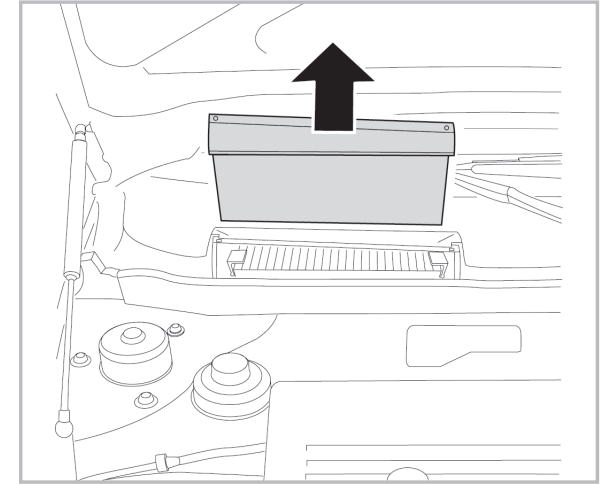
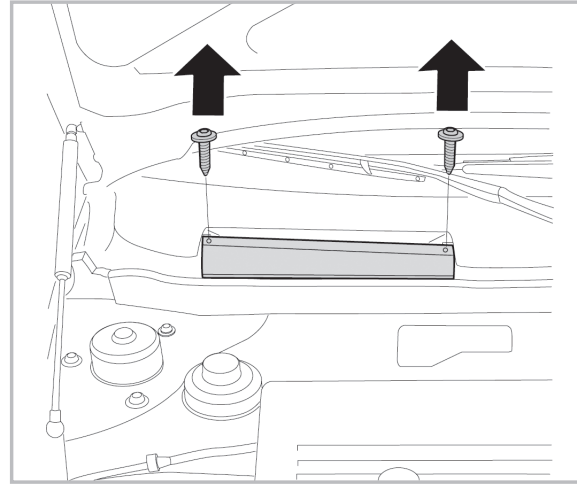
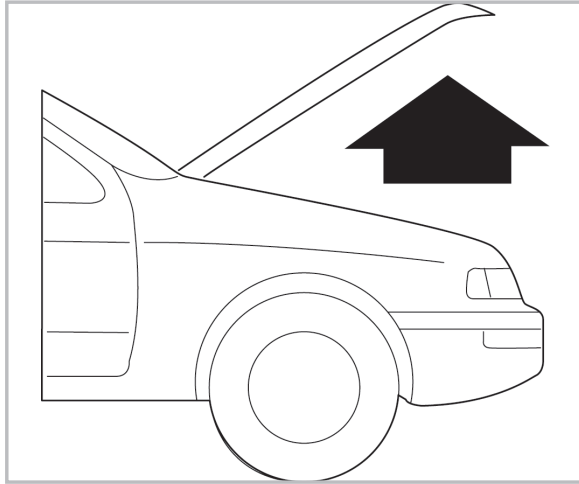
FOR
AUDI

A8 A/C+/- (06/94 > 10/02) / **S8** A/C+/- (09/96 > 10/02)

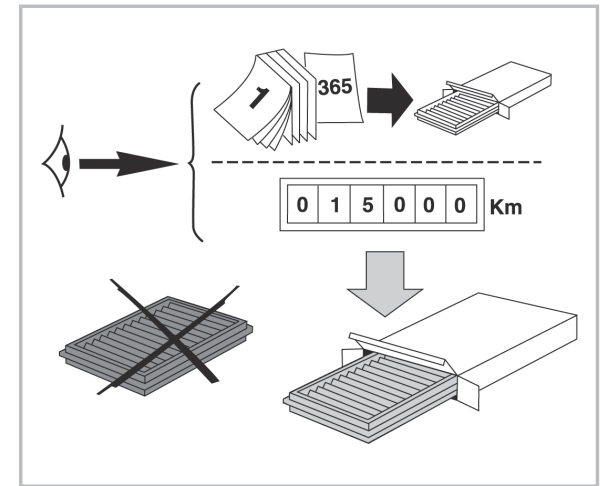
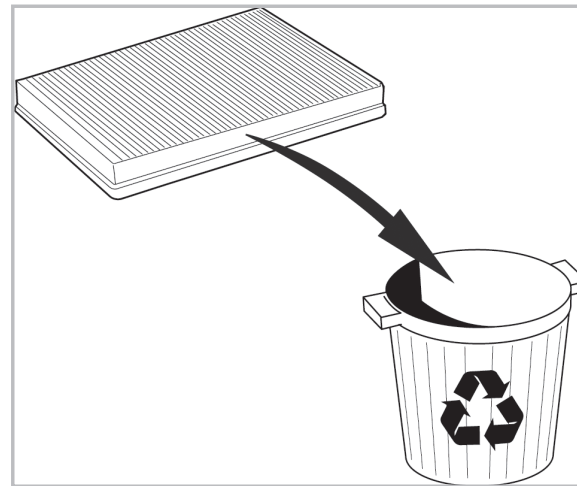
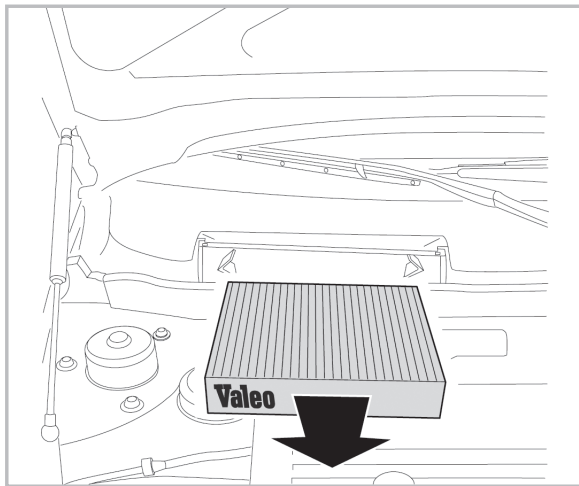
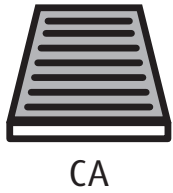


PROTECT

combined with
active carbon



698791
FH807



**WANT TO
KNOW MORE?**



www.valeo-techassist.com