



FOR  
**FORD**

MONDEO A/C+ (10/00 >)



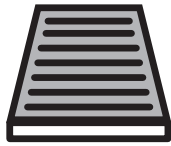
**PROTECT**

combined with  
active carbon

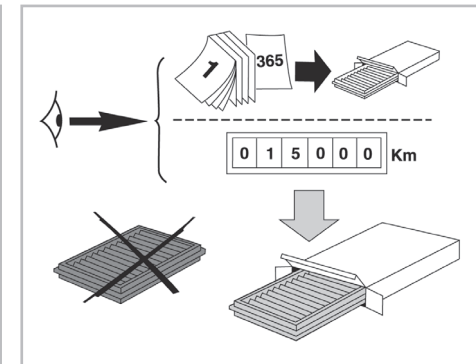
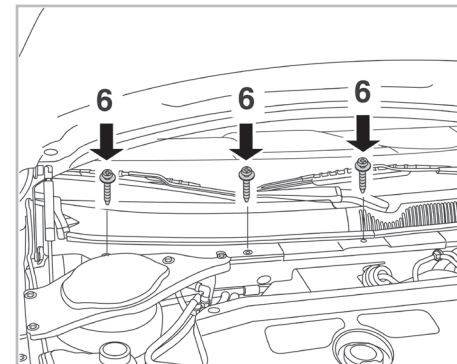
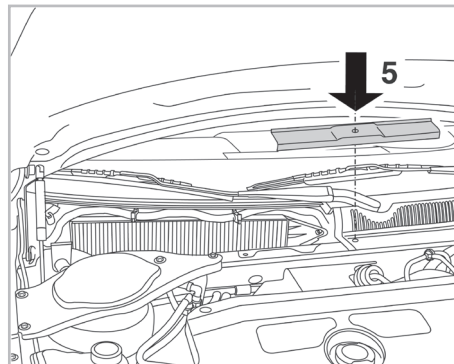
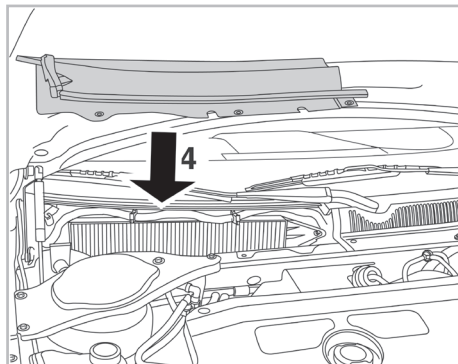
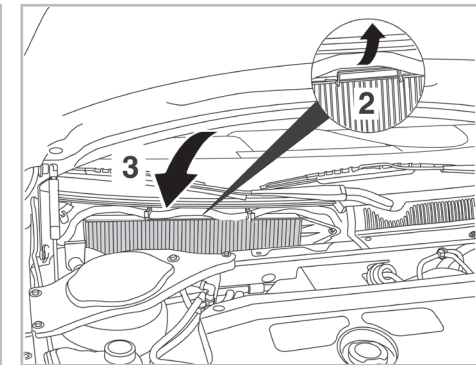
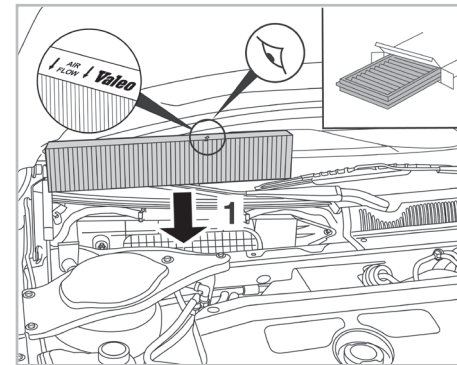
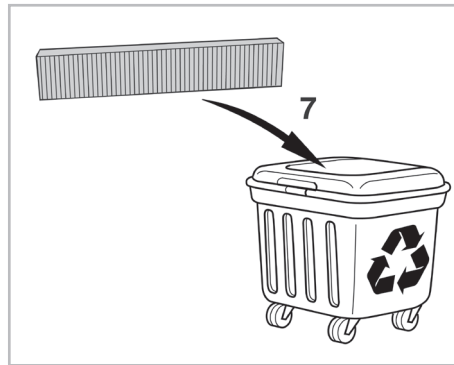
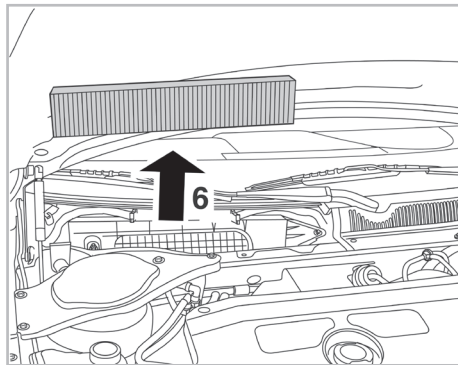
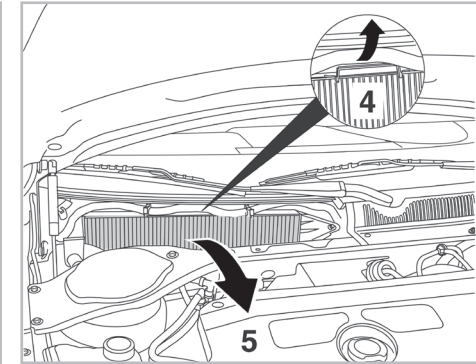
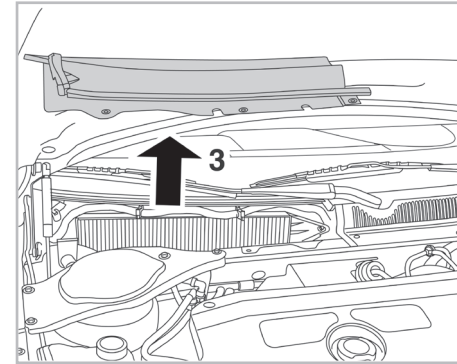
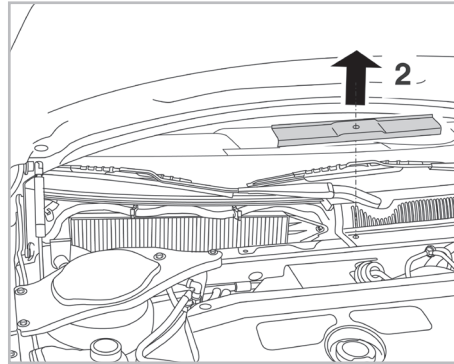
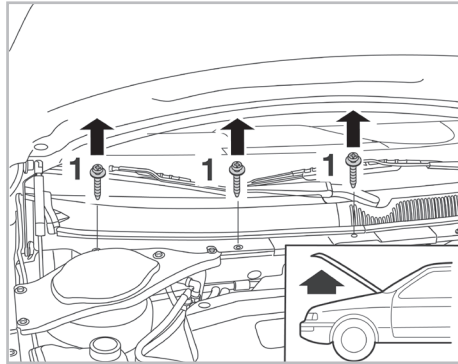


**698745**

FH509



CA



WANT TO  
KNOW MORE?



[www.valeo-techassist.com](http://www.valeo-techassist.com)

Valeo Service - Société par Actions Simplifiée - Capital de 12 900 000 € - 70, rue Pleyel, 93285 Saint-Denis Cedex - France - B 306 486 408 RCS Bobigny