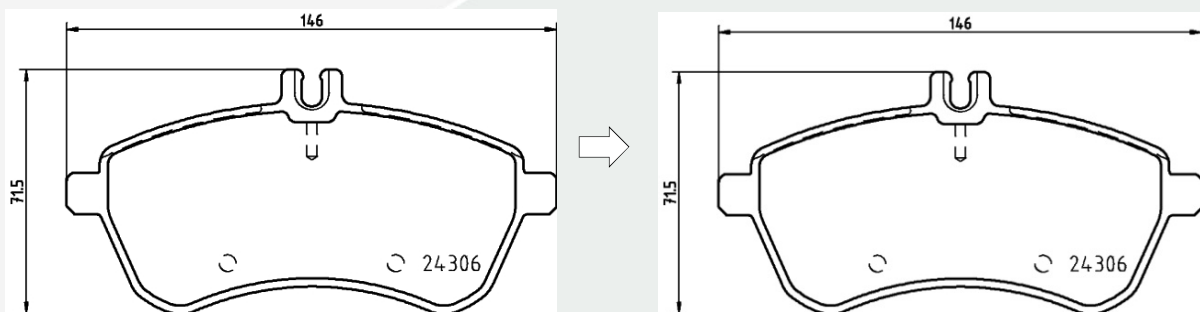


Replacement of T1638 (WVA 24306) / T1622 (WVA 24306)

Due to a harmonization of the friction materials being used for the references T1638 and T1622 both parts become interchangeable.

In order to help our customers to decrease complexity we harmonize both references into one, which will cover all applications of T1638 and T1622.

As you can see in the picture below there is no difference in the outer dimensions of the pad. Also the accessories which are included in the box are the same. The material change now makes the pads equal and therefore one of the sets is obsolete and can be replaced.



As usual, old stock can be sold out without any problems.