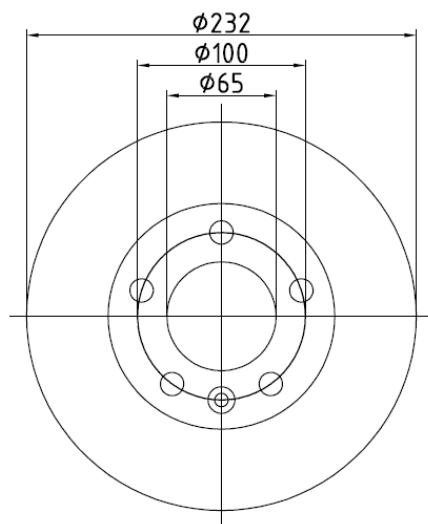


## **Change of diameter with brake disc 53955**

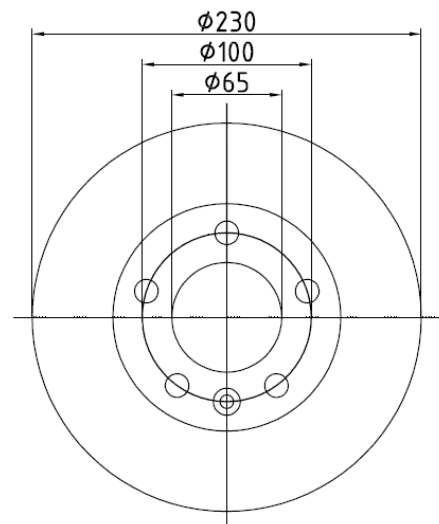
*Due to diameter modifications of the car manufacturer (Volkswagen-Group), the diameter of our brake disc 53955 will be reduced from 232 mm to 230 mm.*

*Although the original spare part has got a new article number, we will introduce this new design as a running change into the market by keeping the existing reference number.*

*This change of the dimension avoids corrosion at the outer radius, which in the past frequently caused noises, and led to claims in technical inspections.*



*old*



*new*

