



07/15



Das Original

## Junta, tampa das válvulas

# BMW

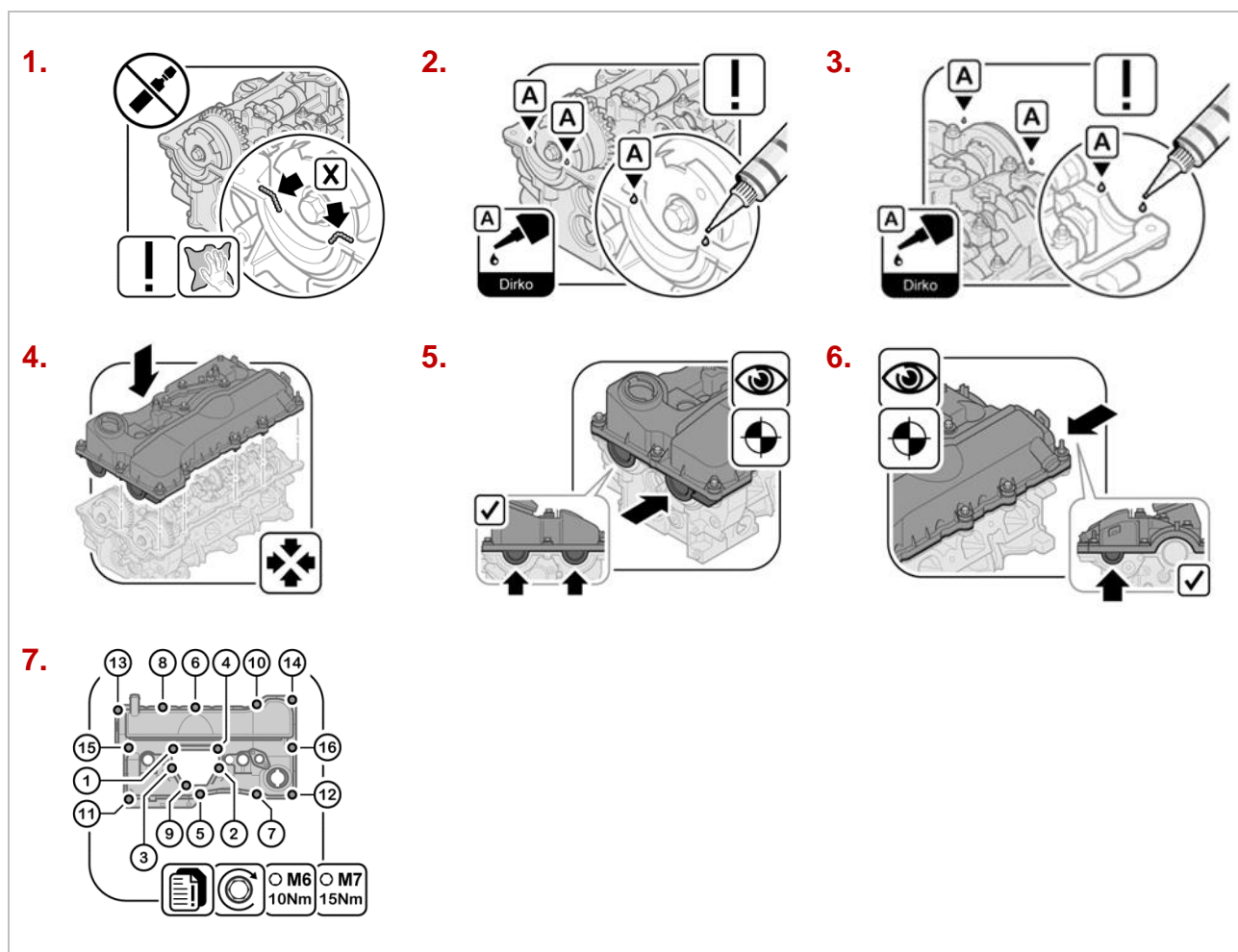
N42 B18 | B20

N46 B20

N46 N B20



382.711 | 898.170 | 898.171 | 903.210 | 903.220



01/01